

BRAKE HOUSING

Step 1 | Secure the brake housing to the three guides located under the chainstay.

Step 2 | Thread the brake housing in the left outer cavity of the support provided for this purpose located under the down tube. To make this step easier, use an internal cable guide kit.

Step 3 | Take the housing out through the lower cavity of the left guide located on the down tube.

REAR DERAILLEUR HOUSING

Step 1 | Thread the housing through the left stopper located on top of the down tube.

Step 2 | Thread the rear gear housing in the left interior cavity of the support provided for this purpose located under the down tube.

Step 3 | Secure the rear gear housing to the three guides located under the chainstay.

SEATPOST HOUSING

Step 1 | Thread the dropper housing through the lower cavity of the right guide located on the down tube.

Step 2 | Take the dropper housing out through the right outer cavity of the support provided for this purpose located under the down tube.

Step 3 | Insert the dropper housing into the stopper at the bottom of the seat tube. Pull the dropper housing out through the end of the seat tube.

FRONT DERAILLEUR HOUSING

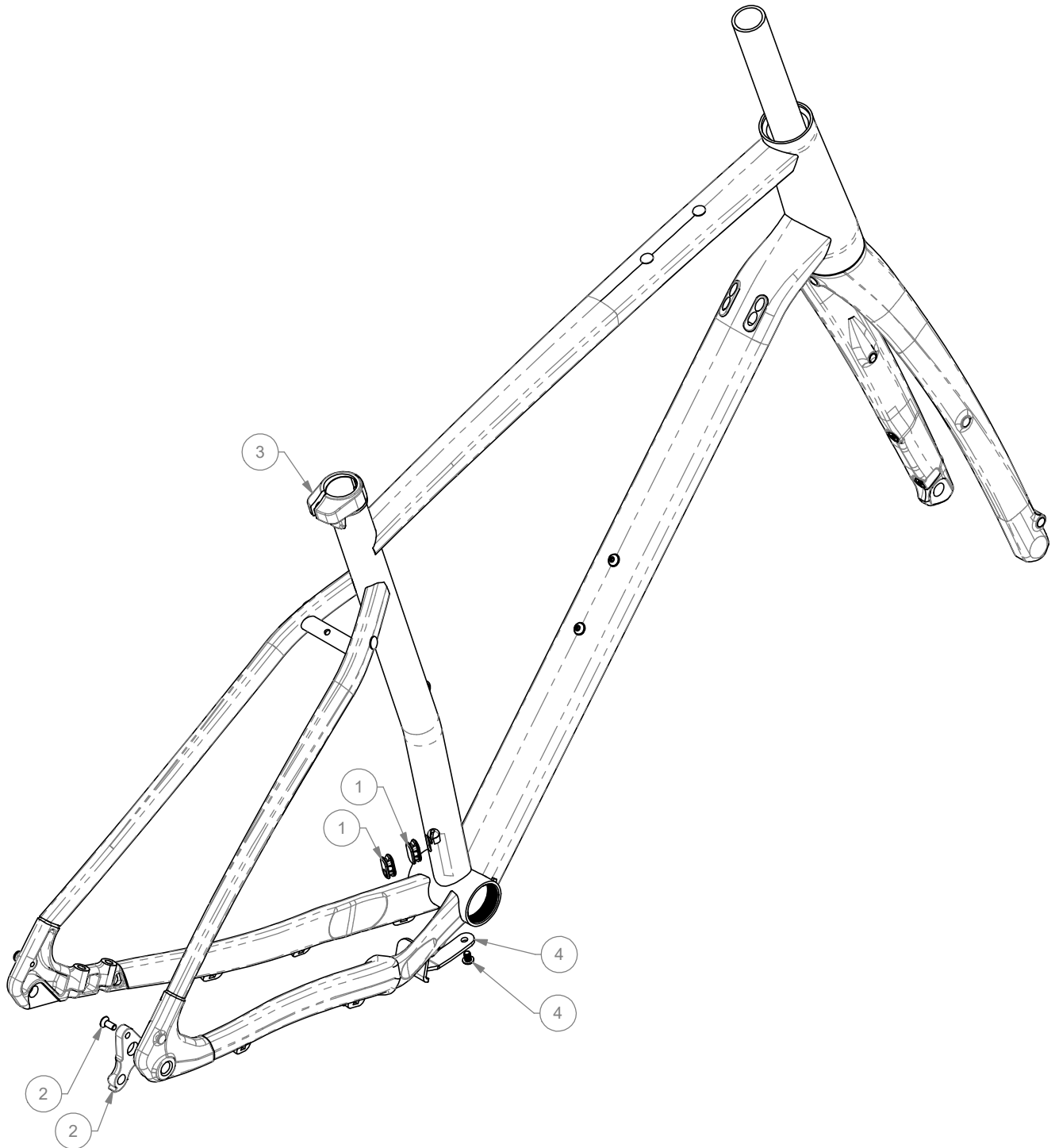
Step 1 | Thread the front gear housing through the upper cavity of the right stopper located on the down tube.

Step 2 | Take the front gear housing out through the inside right cavity of the support provided for this purpose located under the down tube.

Step 3 | Insert the front gear housing into the holder on the seat tube.

HATCHET ALUMINUM TA

ITEMS	#SERVICE KIT	DESCRIPTION
1	KFC02101	Rubber Cable Guide
2	KFC02102	Derailleur hanger
3	KFC17004	Seat clamp 31.8 Blk Hatchet Carb.
4	KFC02105	Fender bracket with bolt



HATCHET ALUMINUM QR (CLARIS)

ITEMS	#SERVICE KIT	DESCRIPTION
1	KFC02101	Rubber Cable Guide
2	KFC02301	Derailleur hanger
3	KFC17004	Seat clamp 31.8 Blk Hatchet Carb.
4	KFC02105	Fender Bracket with bolt

