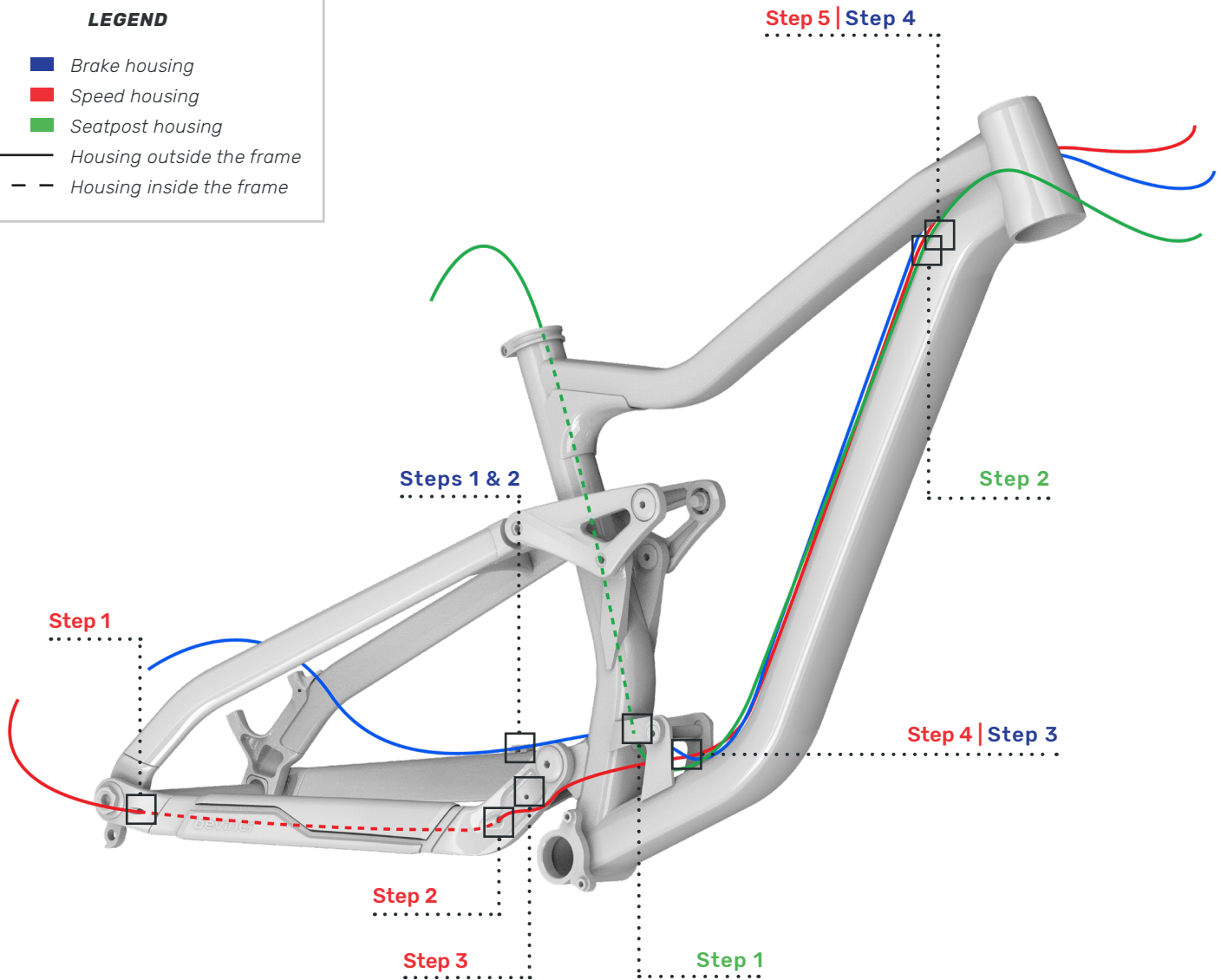


**LEGEND**

- Brake housing
- Speed housing
- Seatpost housing
- Housing outside the frame
- - - Housing inside the frame



## BRAKE HOUSING

**Step 1 |** Thread the housing to the left over the inner surface of the seat stay.

**Step 2 |** Attach the housing to the two tabs on the chainstay.

**Step 3 |** Thread the housing under the shock mount.

**Step 4 |** Attach the housing to the left side of the down tube guides. Align to the left side.

## SPEED HOUSING

**Step 1 |** Thread the housing through the opening from the front of the base to the back of the base.

**Step 2 |** Pull the housing out through the rear opening of the chainstay.

**Step 3 |** Secure the housing with a clip under the front of the chainstay using the cavity created for this purpose.

**Step 4 |** Thread the housing under the shock support.

**Step 5 |** Fix the housing in the center of the guides of the downtube. Align on the left side.

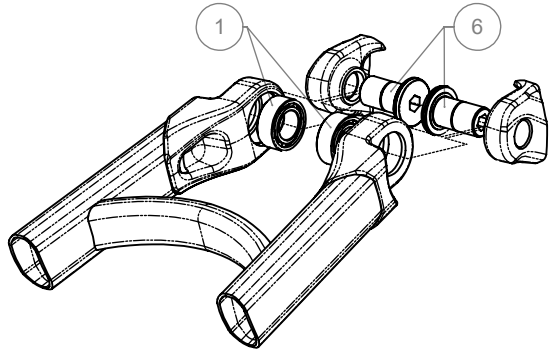
## SEATPOST HOUSING

**Step 1 |** Thread the housing through the opening at the bottom of the seat tube and thread upwards.

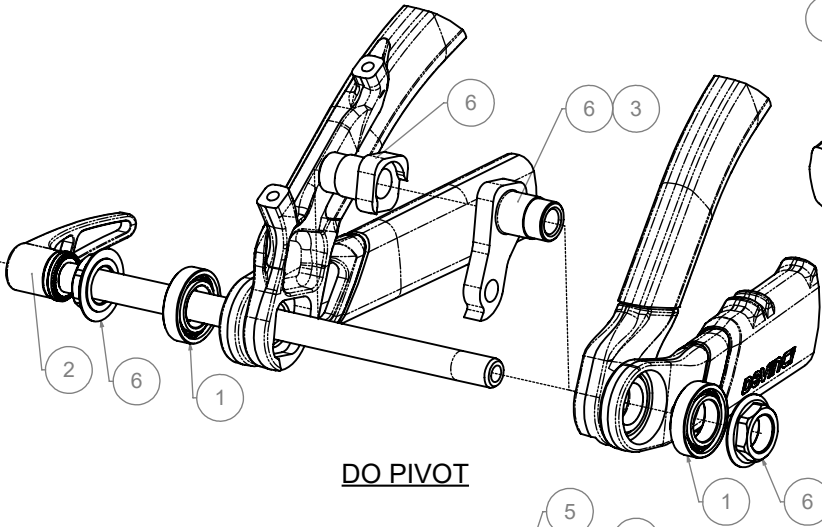
**Step 2 |** Attach the housing to the right side of the down tube guides. Align on the right side.

# TROY ALUMINUM 29

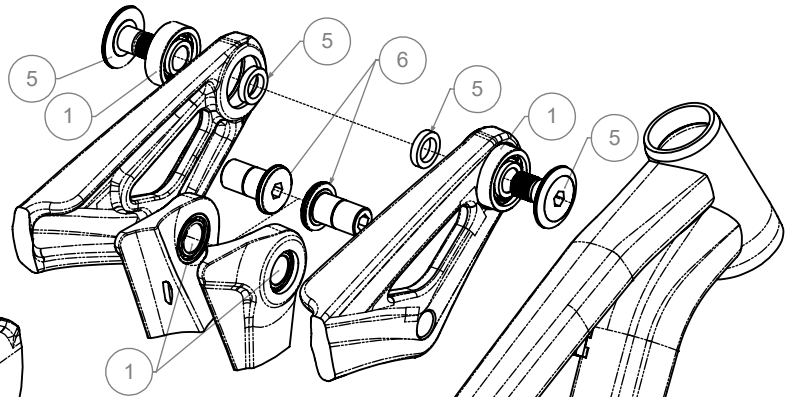
| ITEMS | #SERVICE KIT | DESCRIPTION                              |
|-------|--------------|--|
| 1     | KFC04301     | Bearing Kit                              |
| 2     | KFC19010     | Rear Axle SuperBoost157*12mm/209.5mm     |
| 3     | KFC11051     | Derailleur Hanger Split Pivot 12x142/148 |
| 4     | KFC04302     | Protector Kit                            |
| 5     | KFC04303     | Troy Alloy 29 Shock bolt Black           |
| 6     | KFC01301     | Pivot kit Shaft Alloy Black              |
| 7     | KFC04304     | Cable guide kit                          |



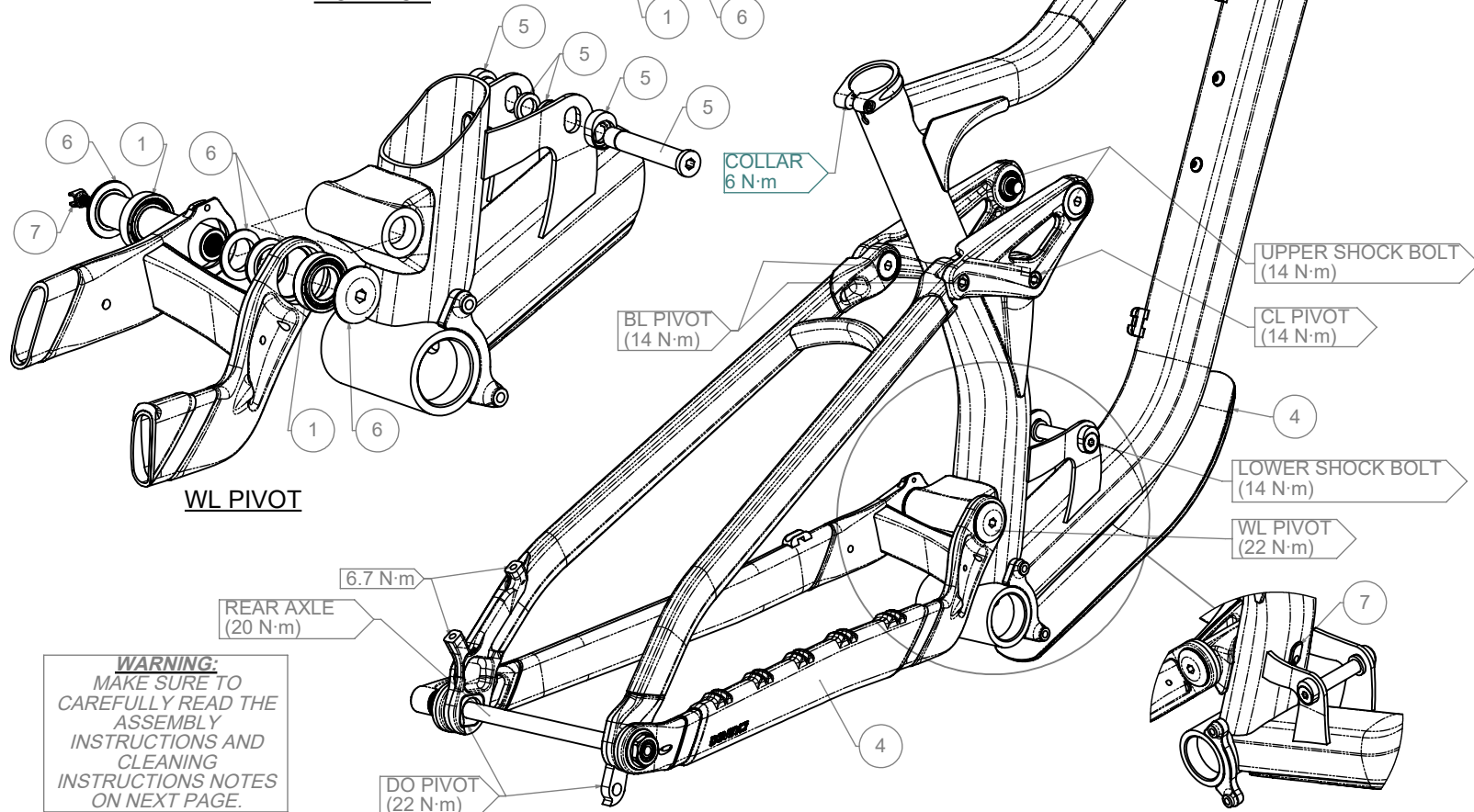
**BL PIVOT**



**DO PIVOT**



**CL PIVOT**



**WARNING:**  
 MAKE SURE TO CAREFULLY READ THE ASSEMBLY INSTRUCTIONS AND CLEANING INSTRUCTIONS NOTES ON NEXT PAGE.