

WE MAKE RIDERS

CHICOUTIMI, QUÉBEC



TECHNICAL MANUAL

E-TROY LITE 2024+

DEVINCI



LET YOUR INNER RIDER RIDE FREE



PLEASE READ BEFORE USING YOUR BIKE

Even if you have already piloted a bike for years, it is important to be aware of the information contained in the User's Manual and the Specific Manual PAB (Power-Assisted Bike). Read them carefully before riding your E-Troy Lite:

- These documents contain important information.
- Understand the use, layout and maintenance of each electrical components of your new PAB.

Your safety and those of other is paramount:

- Never ride the bike without its battery; the battery must be on the bike when you head out, otherwise there will be no lights on the bike.
- Never ride the bike without a saddle; failure to comply with this rule could lead to accidents.
- Inspect your bike to make sure there are no loose screws or components or damages. In the event of a defect, visit your authorized Devinci retailer for a repair.
- A PAB is faster than a normal bike, risks of accident with other users on the road may occur.
- Ride under the conditions mentioned in the Owner's Manual.
- For PAB's that have a rear rack: the limit is 20 kg.

The electrical system requires careful handling:

- Do not clean the bike with a high-pressure jet. The system is sensitive to moisture. High-pressure water may seep into the connectors or other parts of the electrical system.
- Handle the battery carefully and pay attention to electric shocks. Failure to comply with this instruction could lead to abnormal heating or severe damage. In very rare cases, the consequences of an electrical shock could lead to a fire. In case of doubt, have the battery inspected by an authorized Devinci retailer.

Perform maintenance of the battery as mentioned in the Technical Manual.



NOTE → Failure to follow the instructions below may damage the battery and require you to purchase a new battery kit.

- Charge the bike with the Bosch charger only;
- It is not recommended to keep the battery connected to the charger for a long period;
- If the battery remains uncharged for a long time, it can lose a significant part of its effectiveness;
- Store the battery in a well-ventilated and dry place. Pay attention to moisture;
- Monitor the storage temperature and try to avoid discrepancies. For example, do not leave the battery in your car during summer or leave the battery outdoors during a storm in winter.

Factors that shorten the service life of your battery:

- Heavy-duty use
- Charging your battery at cold temperatures
- Storage at over 30°C ambient temperature
- Prolonged storage in a fully charged or fully discharged state
- Parking the eBike in direct sunlight
- Regular complete "discharge" of the battery

Factors that extend the service life of your battery:

- Low load
- Storage at a temperature between 10 and 20°C
- Storage at approximately 30 – 60 % charge status
- Parking the eBike in the shade or in a cool location

For further informations, visit the [Bosch website](#).

Follow the transport instructions for your PAB:

- Comply with local laws regarding transportation on the PAB;
- A PAB is heavier than a normal bike, so you must be careful when transporting it. Check that the maximum load of the rack, roof or bike rack used is respected. Refer to the support manual used;
- The Li-Ion battery of your PAB, due to its size, is considered a "Class 9 dangerous good" during transport. Applicable regulations could limit transport of a separate Li-Ion battery (when the battery is not on the bike) in some places. This regulation applies to several airlines and a number of road transport companies. On the other hand, if you are planning to move around with a full PAB (when the battery is on the bike), regulations are less strict. In case you use these transport methods, check the regulations that apply to your PAB with your transport company before booking.

Visit your authorized Devinci retailer for regular maintenance of your new PAB:

- Only your retailer has the know-how and the proper equipment to maintain your PAB.
- If you have any question about your PAB, please ask for assistance from your retailer.



ABOUT OUR MANUALS

Our user manuals meet ISO 4210-10TS, EN 15194 et EN 14766 standards.

Like many sports, cycling involves risk of injury and accidents, so you must be fully aware of these risks. Neither the manufacturer, the retailer, nor the person who sold you the bike, nor the people who maintain the trails are responsible for these risks. As you are solely responsible, it is, therefore, essential that you read and fully understand all the parts contained in this manual.

To enjoy maximum safety and enjoyment right from the get go, it is important that you are familiar with your new bike, its handling and its possibilities. It is your duty to maintain your bike well and reduce the risk of injury. Biking can be a dangerous activity, even under the best conditions. These are risks associated with using a bicycle that cannot be predicted or avoided. These are the sole responsibility of the cyclist.

YOUR AUTHORIZED DEVINCI RETAILER

Your authorized Devinci retailer is at your service to guide your choices of bike and accessories which are best suited to the style of biking you wish to perform. This will help you maintain your equipment in good condition so that you can take full advantage of your investment. The staff at your authorized Devinci retailer have the training, experience and tools to carry out the repairs and provide you with reliable advice.

However, your authorized Devinci retailer cannot make decisions for you, and cannot be held responsible for your lack of knowledge, experience, qualification or common sense. However, it will take the necessary time to explain the operation of a component or to help you choose an accessory that meets your specific needs.

For further information, please see the Devinci's User Manual available on www.devinci.com and the Bosch manuals available on <https://www.bosch-ebike.com/en/help-center>, or you can ask your authorized Devinci retailer. He will take the time to answer any questions you may have and will advise you with great pleasure.

TABLE OF CONTENTS

FRAME: TECHNICAL SPECIFICATIONS

8

CABLE ROUTING

12

SERVICE KIT

28

DEVINCI'S RIDE IN PEACE WARRANTY

35

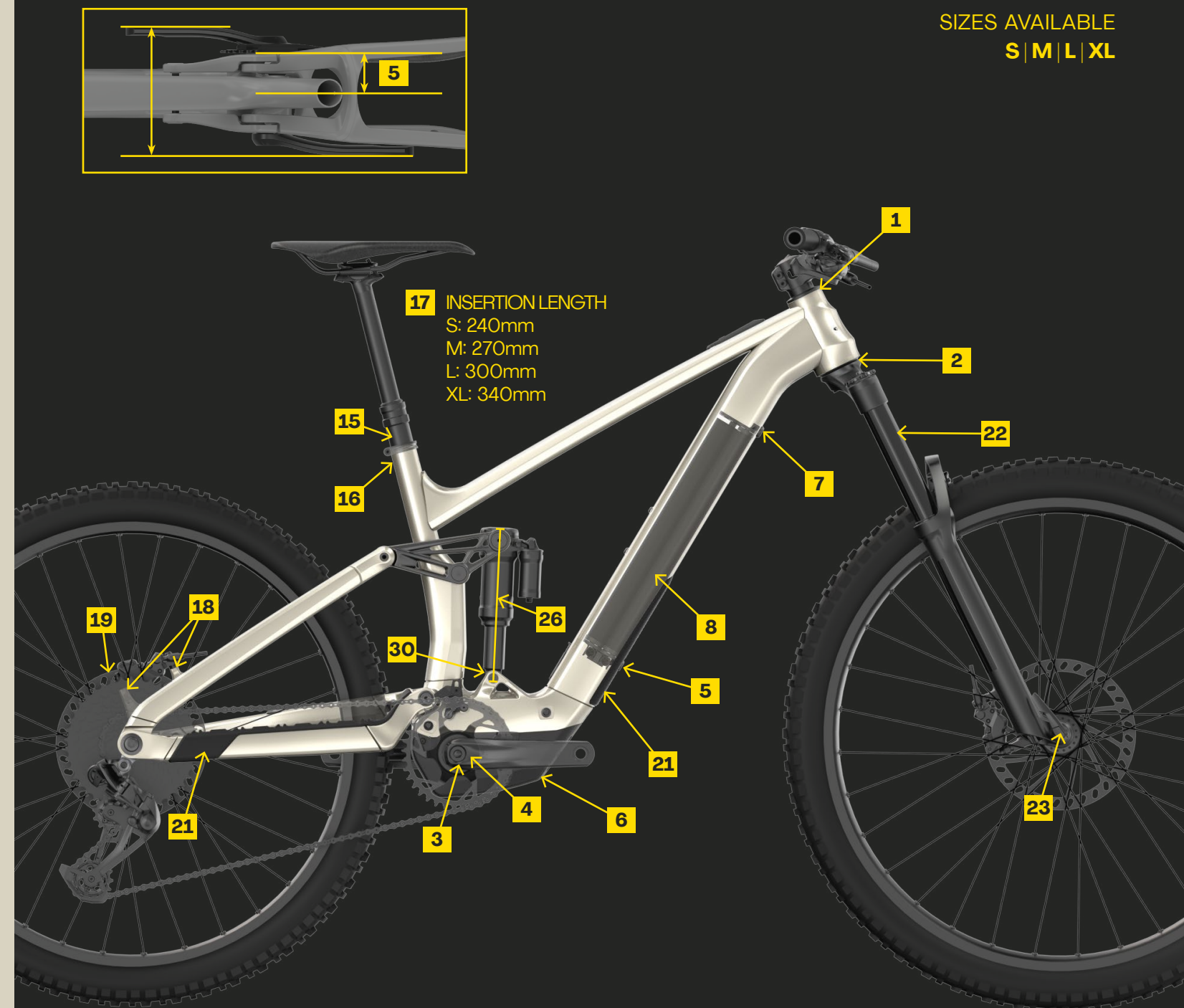


F R A M E

TECHNICAL SPECIFICATIONS

* **DISCLAIMER:** We are testing many different tires to establish a clearance number that cover a wide spectrum of tires with appropriate frame clearance. However, it is impossible for us to test all tires and rim combination available on the market, so be mindful that some combinations may result in slight rubbing if higher than 66mm in actual width.

STEERING COLUMN DIMENSIONS		
1. UPPER (S.H.I.S)	ZS44	1-1/8" Zerostack
2. LOWER (S.H.I.S)	ZS56	1.5" Zerostack
CRANKSET		
3. STANDARD	Mid-Drive Motor	
4. CRANK	ISIS	
5. MINIMUM Q-FACTOR	177 mm	
ELECTRIC ASSIST BOSCH		
6. DRIVE UNIT COMPATIBLE	Bosch Performance Line SX	
7. BATTERY MOUNT COMPATIBLE	Direct Mount Bosch PowerMore KFC072001 150mm cable	
8. BATTERIES COMPATIBLE	Compact PowerTube 400 (CPT 400) Horizontal with screw on plate	
9. SPEED SENSOR TYPE	Rotor Magnet Bosch Valve Magnet Compatible	
MECHANICAL DRIVETRAIN		
10. REAR HUB SPACING O.L.D. (OVER LOCKNUT DIMENSION)	TA 12x148 Boost	
11. MAXIMUM & MINIMUM CHAINRING	38T	32T
12. SMALLEST COG COMPATIBLE	12s 9T	
13. BIGGEST COG COMPATIBLE	12s 52T	
14. MAXIMUM & MINIMUM RECOMMENDED CHAINLINE	55mm	55mm
SEAT TUBE AND SEAT CLAMP		
15. SEAT TUBE INSIDE DIAMETER	31.6 mm	
16. SEAT TUBE OUTSIDE DIAMETER	34.9 mm	
17. DROPPER POST COMPATIBLE	Yes Full Internal	
BRAKES		
18. BRAKE MOUNT (FRAME)	Post Mount 200mm direct	
19. MAX ROTOR SIZE COMPATIBLE (FRAME)	220 mm	
ACCESSORIES		
20. WATER BOTTLE (FRAME)	YES	
21. PROTECTORS	DOWNTUBE & CHAINSTAY	
COMPATIBILITY INFO (BASED ON SIZE MEDIUM)		
E-TROY FORK 160 MM TRAVEL 150MM		
15. FRONT SUSPENSION (TRAVEL & SAG)	160 mm	20-25%
16. FORK (AXLE-TO-CROWN & DÉPORT)	571	44
17. FRONT & REAR WHEEL GEOMETRY	750	720
18. FRONT & REAR MAX ETRTO	66-622	66-584
17. REAR SUSPENSION (DIMENSIONS & SAG)	185 x 55 mm	30%
18. SHOCK PIGGYBACK COMPATIBILITY	Yes	
19. SPRING TYPE COMPATIBILITY	Air & Coil	
20. UPPER/FRONT SHOCK HARDWARE DIMENSIONS	Trunnion	
21. LOWER/REAR SHOCK HARDWARE DIMENSIONS	35 x 10 mm	



17 INSERTION LENGTH
S: 240mm
M: 270mm
L: 300mm
XL: 340mm



i THE LOWER POSITION OF THE INSERTS IS RESERVED FOR THE WATER BOTTLE HOLDER, WHILE THE UPPER POSITION IS EXCLUSIVE TO THE BOSCH POWERMORE BATTERY EXTENSION. THE POWERMORE BATTERY IS NOT COMPATIBLE IN THE LOWER POSITION: THIS POSITION WOULD DAMAGE THE SHOCK ABSORBER AS WELL AS THE POWERMORE. DEVINCI DISCLAIMS ANY RESPONSIBILITY FOR IMPROPER INSTALLATION THAT WOULD CAUSE DAMAGE TO THE SUSPENSION AND POWERMORE BATTERY.

NOTE: IF THE BATTERY GETS DRAINED TO 0%, THE CHARGER NEEDS TO BE CONNECTED TO THE BIKE FIRST AND THEN TO THE POWER OUTLET IN ORDER FOR COMMUNICATION TO BE ESTABLISHED AND BEGIN THE CHARGING PROCESS



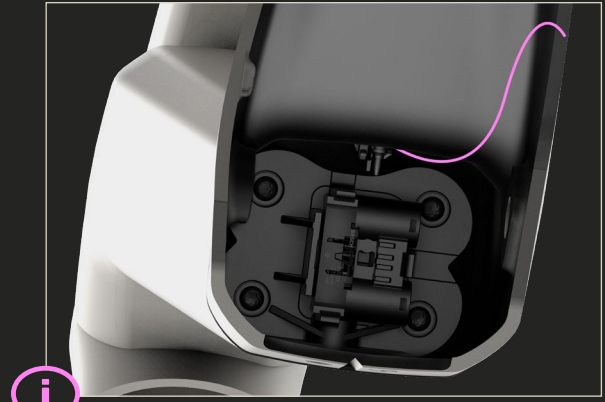
C A B L E
R O U T I N G



CABLE ROUTING

CONSOLE POWER CABLE

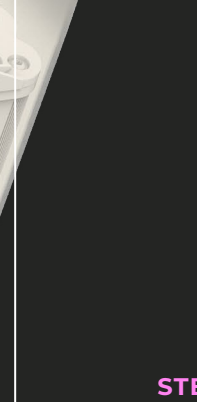
- STEP 1** | Insert the electrical cable through the cavity located on the top of the top tube.
- STEP 2** | Insert the console electrical cable into the downtube through the cavity located at the junction between the top tube and the downtube.
- STEP 2** | Then, feed the electrical cable into the downtube until it reaches the motor shell. Slide the anti-impact foam tube onto the cable until it reaches the downtube.



STEP 1



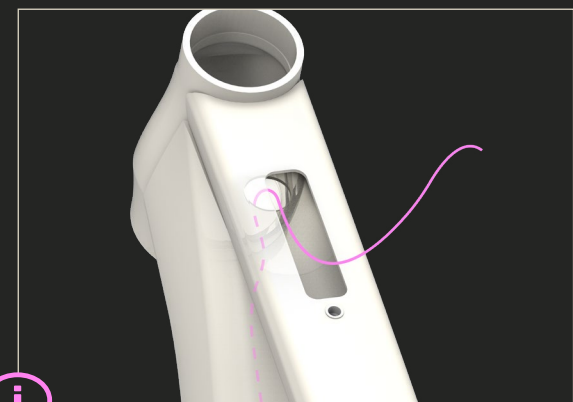
STEP 2



STEP 3



STEP 1



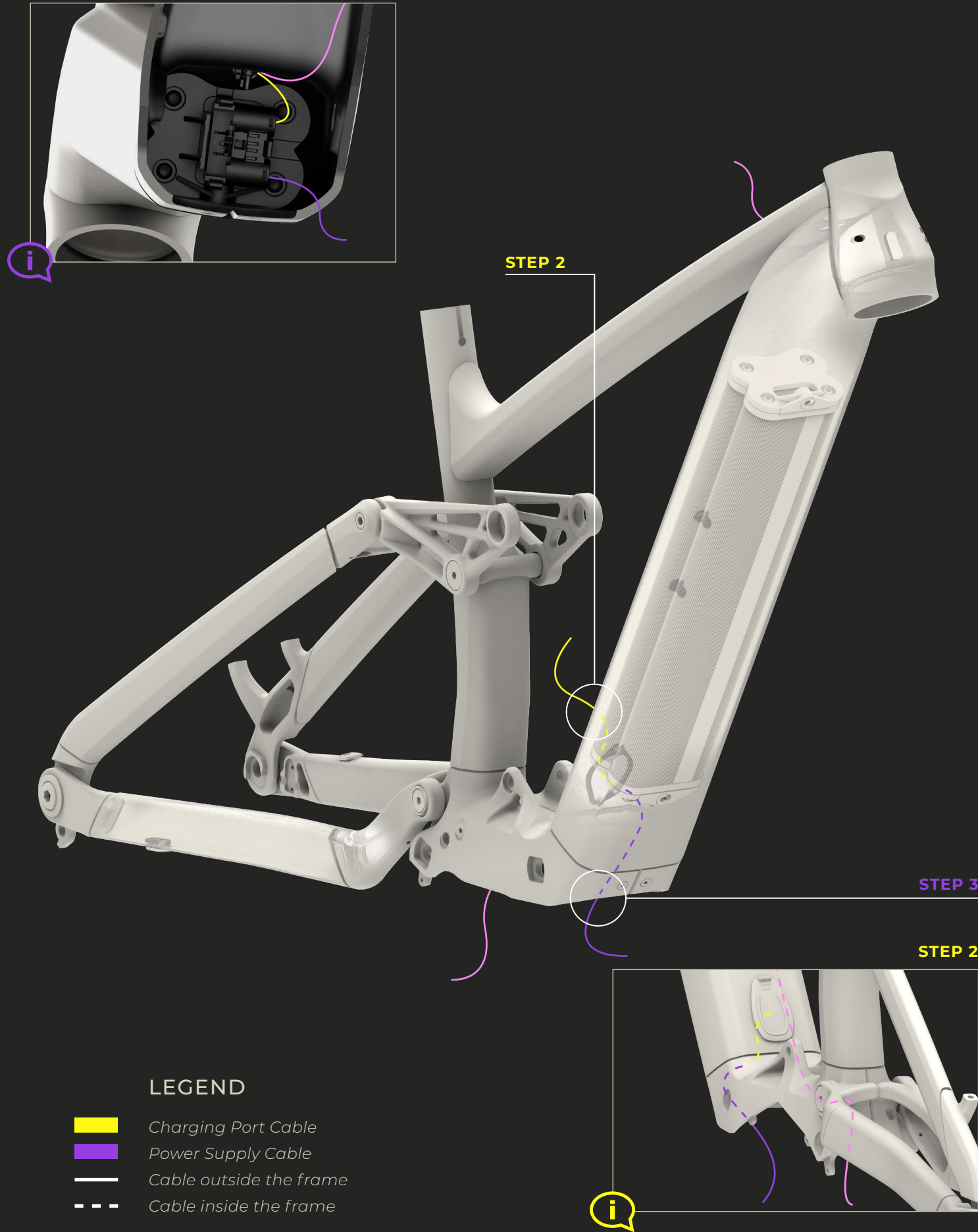
LEGEND

- Console Power Cable
- Cable outside the frame
- Cable inside the frame

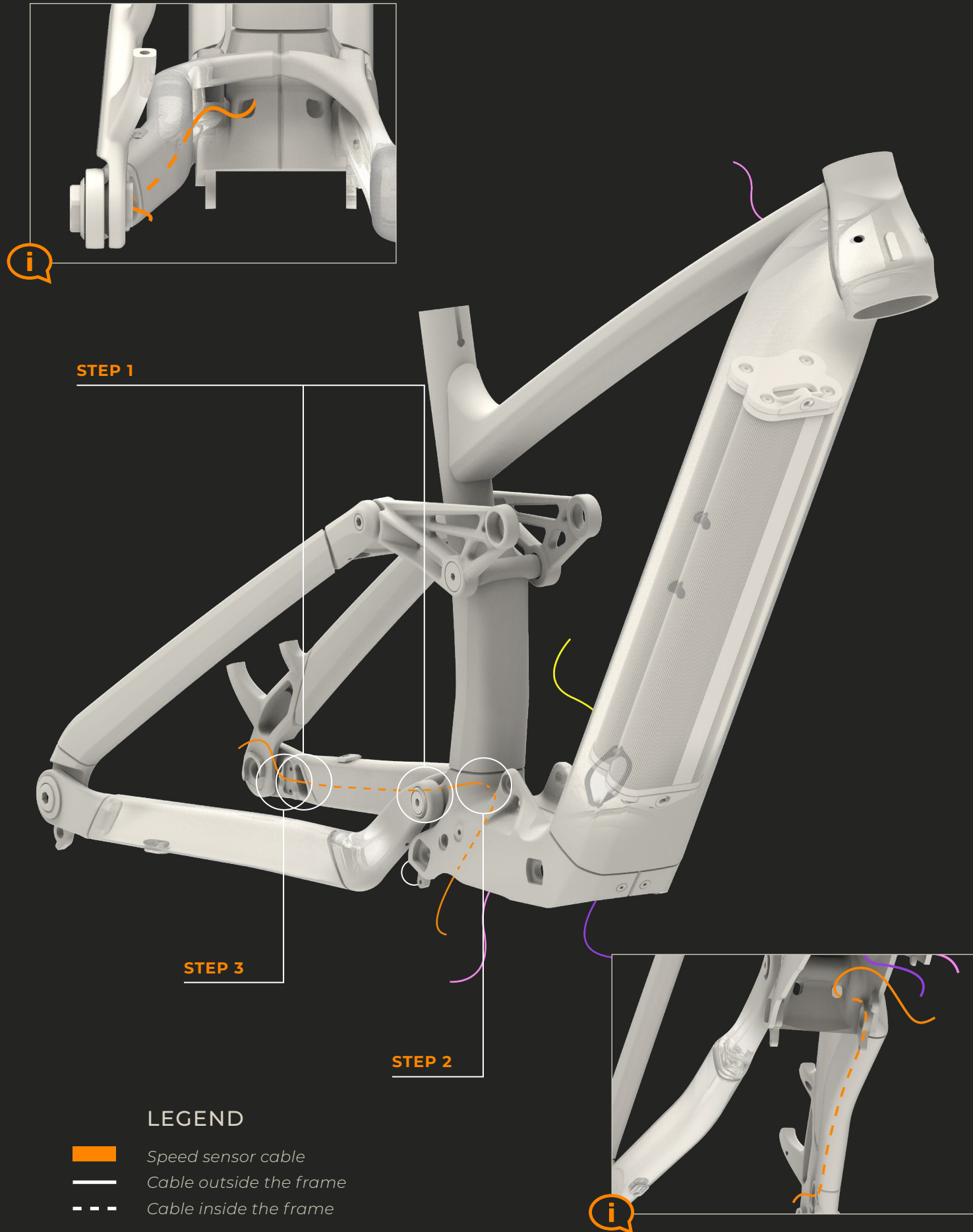
CABLE ROUTING

CHARGING PORT & POWER SUPPLY CABLES

- STEP 1** | Assemble the charging port cable to the power supply cable. Slide and secure the battery into the diagonal, ensuring that **the console power cable** passes over the top of the battery, to the right of the water bottle cage rivets.
- STEP 2** | Fix the charging port to the surface of the diagonal.
- STEP 3** | Let the power cable hang through the motor shell.

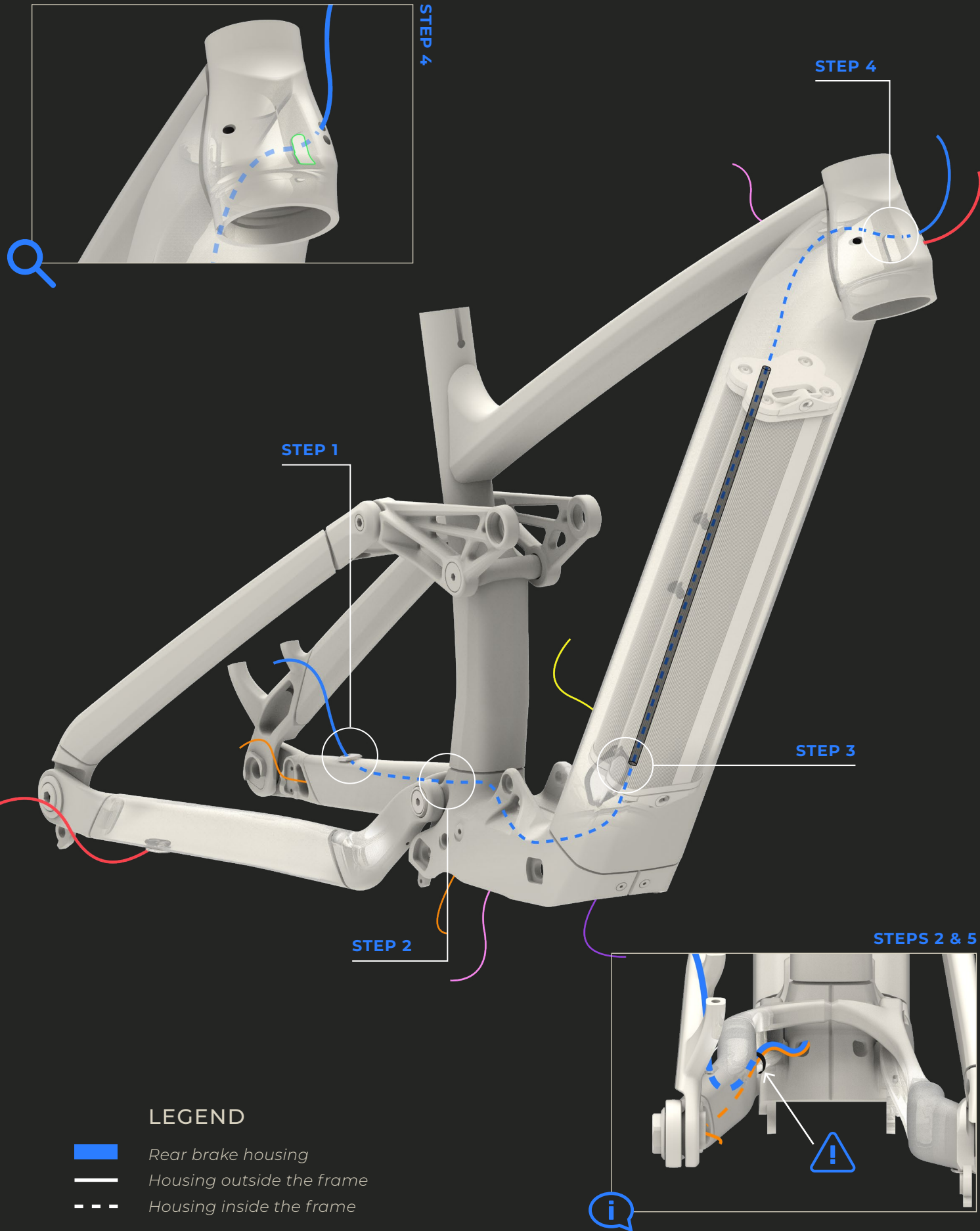


CABLE ROUTING



SPEED SENSOR CABLE

- STEP 1** | Insert the speed sensor cable into the cavity located on the inner left side of the base, at the rear of the bike. Thread the cable through the base until it comes out through the cavity at the front.
- STEP 2** | Insert the cable into the motor shell through the left cavity located at the bottom of the seat tube.
- STEP 3** | Secure the cable at the edge of the entry cavity using the bracket and screw provided for this purpose.



CABLE ROUTING

REAR BRAKE HOUSING

i Make sure that the battery is in place in the diagonal before beginning.

STEP 1 | Make sure the rubber stopper is in place on the cavity located on the top of the base. Then, insert the rear brake housing through the stopper and feed it through to the cavity at the front of the base.

STEP 2 | Insert the rear brake housing into the motor shell through the left cavity.

STEP 3 | Slide the anti-impact foam tube onto the housing, then insert it into the center of the diagonal (above the battery, to the left of the bottle cage rivets) until reaching the head tube.

STEP 4 | Insert the rear brake cable housing into the inner left oval cavity of the head tube, then pull the housing out through the upper left stop.

i Make sure that the rear brake housing is securely inserted into the inner left cavity of the head tube to prevent any rubbing against the fork steerer tube.

STEP 5 | Secure the rear brake housing and the speed sensor cable to the base using a small zip tie in the designated area.

i Make sure to properly execute the last step to avoid the risk of friction between the housing and the tire.



PASSAGE DE GAINES

REAR DERAILLEUR HOUSING



Make sure that the battery is in place in the diagonal before starting.



Tip → Slightly bend the end of the housing to ease its insertion into the base before starting.

ÉTAPE 1 | Make sure the rubber stopper is in place on the cavity located under the right side of the base. Then, thread the rear derailleur housing through the stopper.

ÉTAPE 2 | Thread the housing through the base and pull it out through the cavity located at the front.

ÉTAPE 3 | Insert the cable into the motor shell through the cavity located on the right side.

ÉTAPE 4 | Slide the anti-impact foam tube over the housing, then insert it into the left side of the diagonal until it reaches the steering column.

ÉTAPE 5 | Insert the rear derailleur housing into the inner left oval cavity of the steering column, then pull the cable out through the lower left stopper.

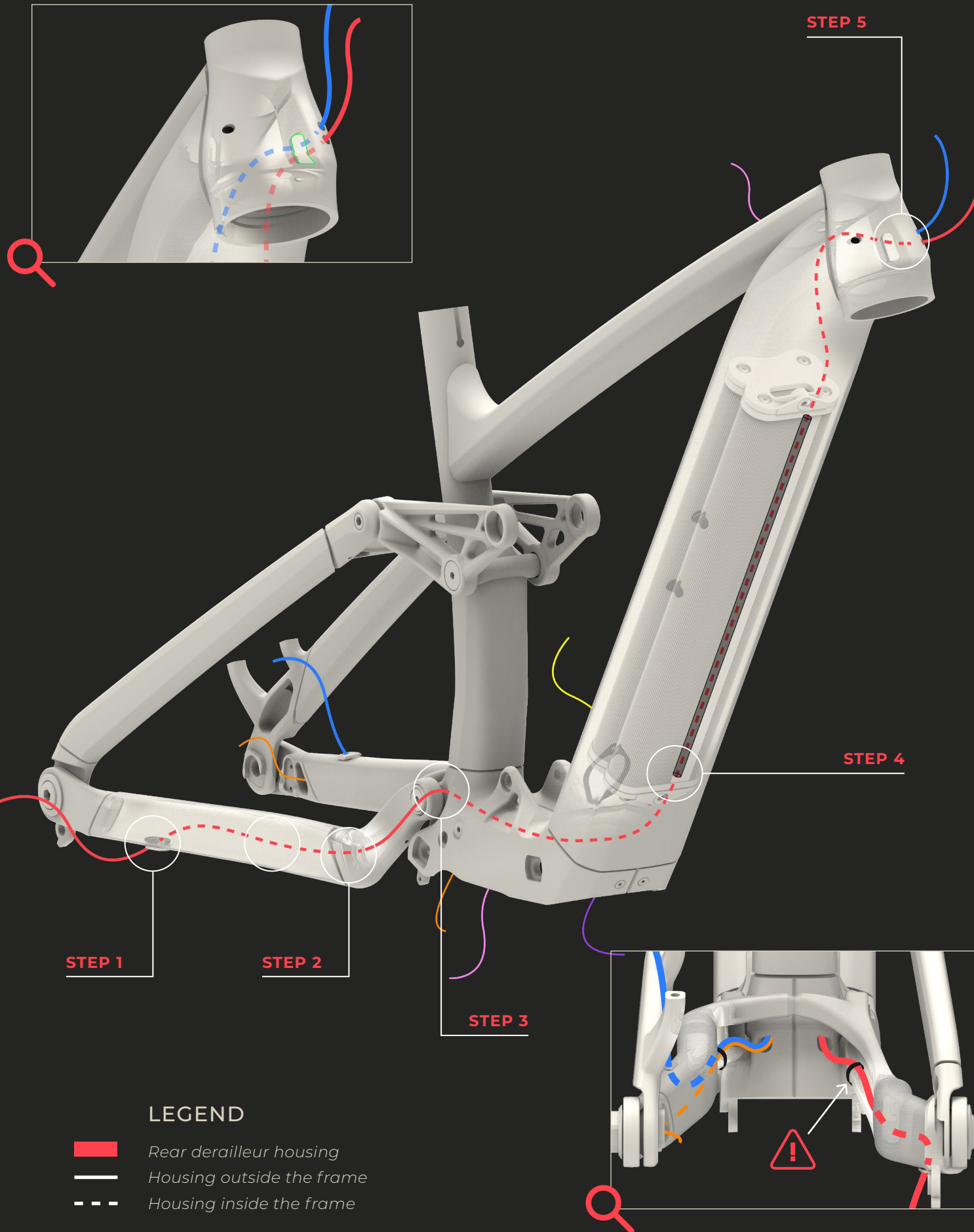


Make sure that the rear brake cable housing is properly inserted into the inner left cavity of the steering column to prevent friction with the fork steerer tube.

ÉTAPE 6 | Secure the rear derailleur housing to the base at the designated location using a small zip tie.



Make sure to properly execute the last step to avoid the risk of friction between the housing and the tire.



LEGEND

- Rear derailleur housing
- Housing outside the frame
- - - Housing inside the frame



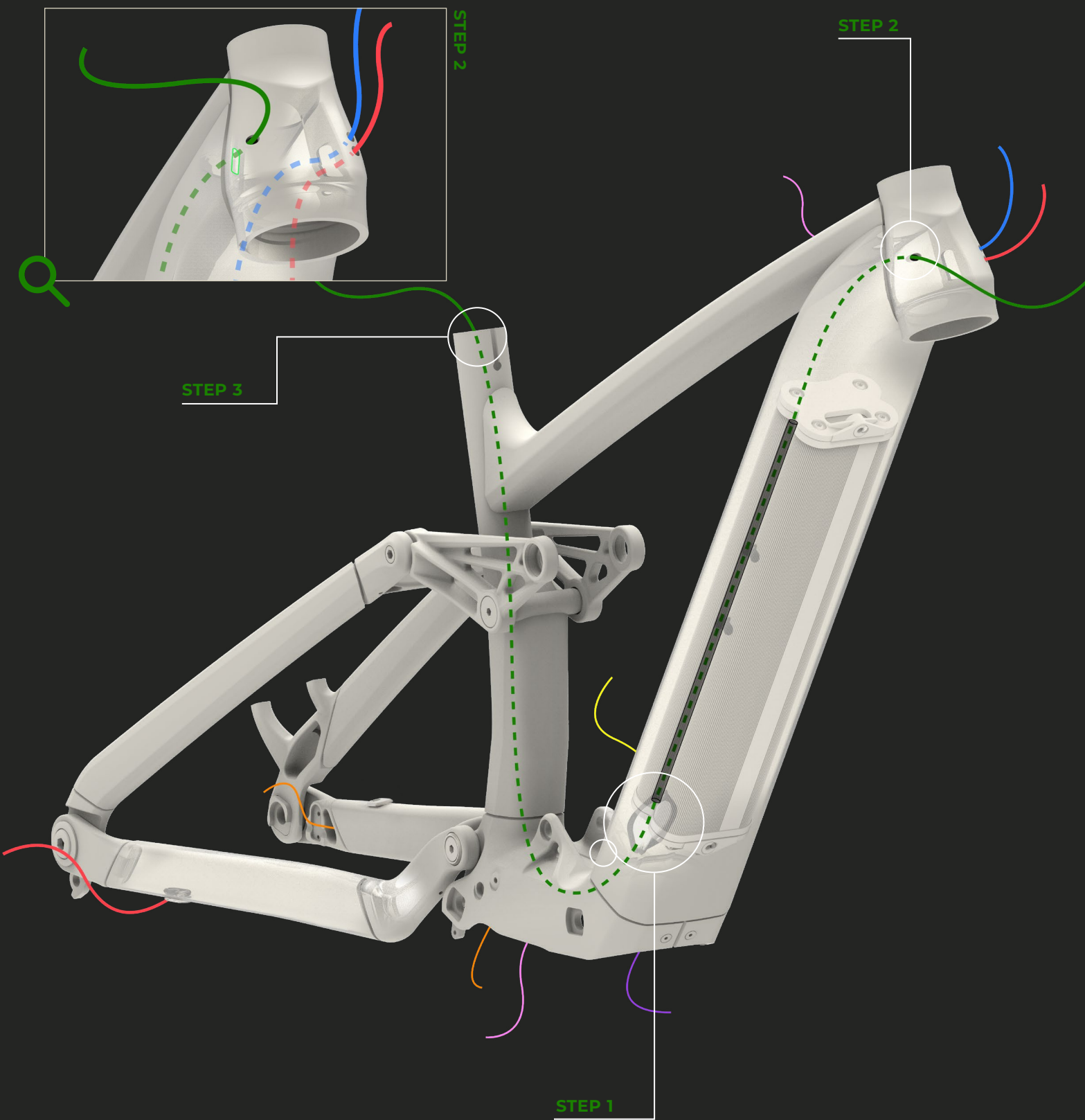
CABLE ROUTING

SEAT POST HOUSING

STEP 1 | Slide the foam anti-impact tube over the seat post housing, then insert it to the right of the battery into the diagonal until reaching the head tube.

STEP 2 | Insert the seat post housing into the inner oval cavity of the right side of the head tube, then pull the housing out through the lower right stopper.

STEP 3 | From the motor shell, insert the seat post cable housing up to the upper end of the seat tube.



LEGEND

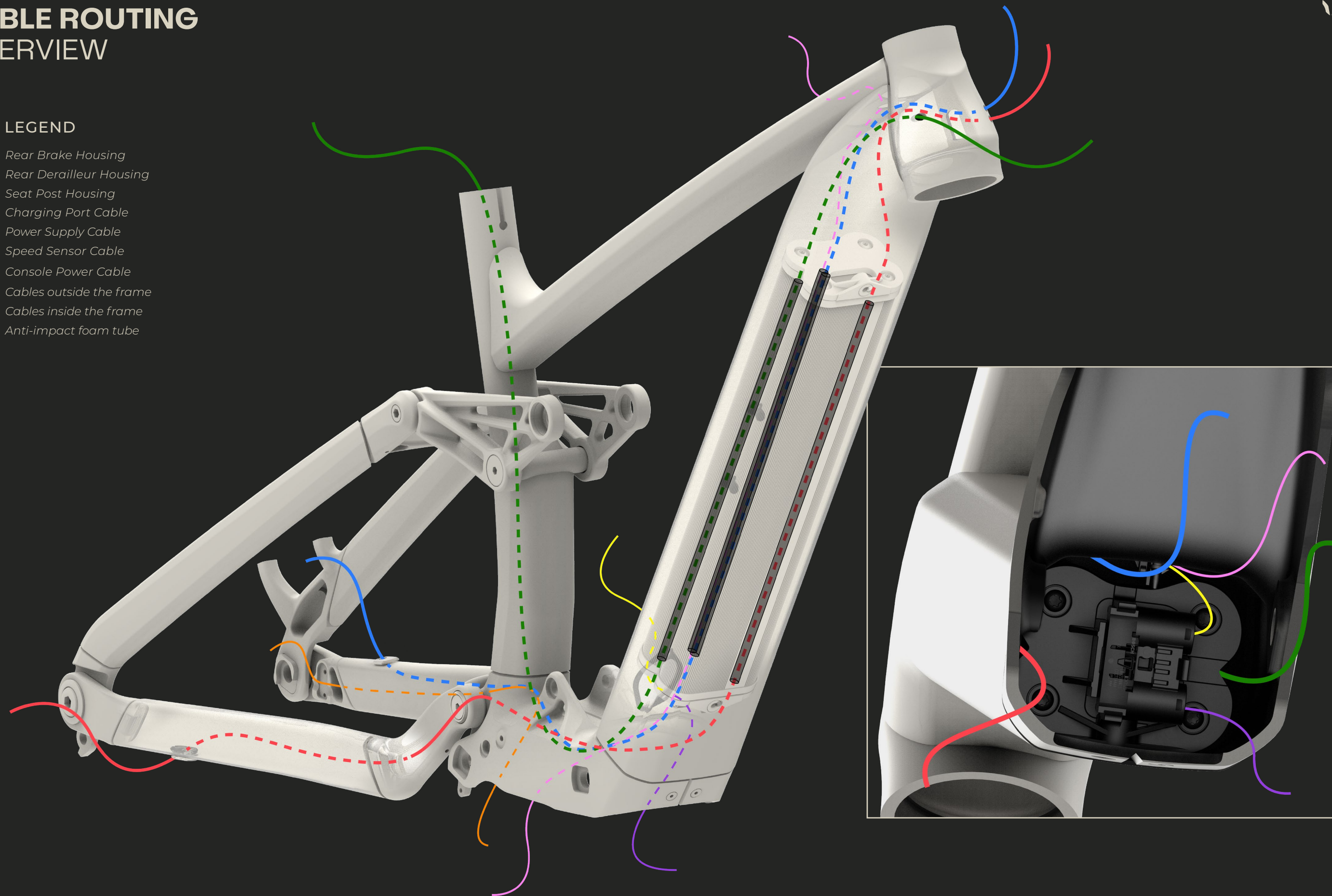
- Seat post housing
- Housing outside the frame
- Housing inside the frame



CABLE ROUTING OVERVIEW

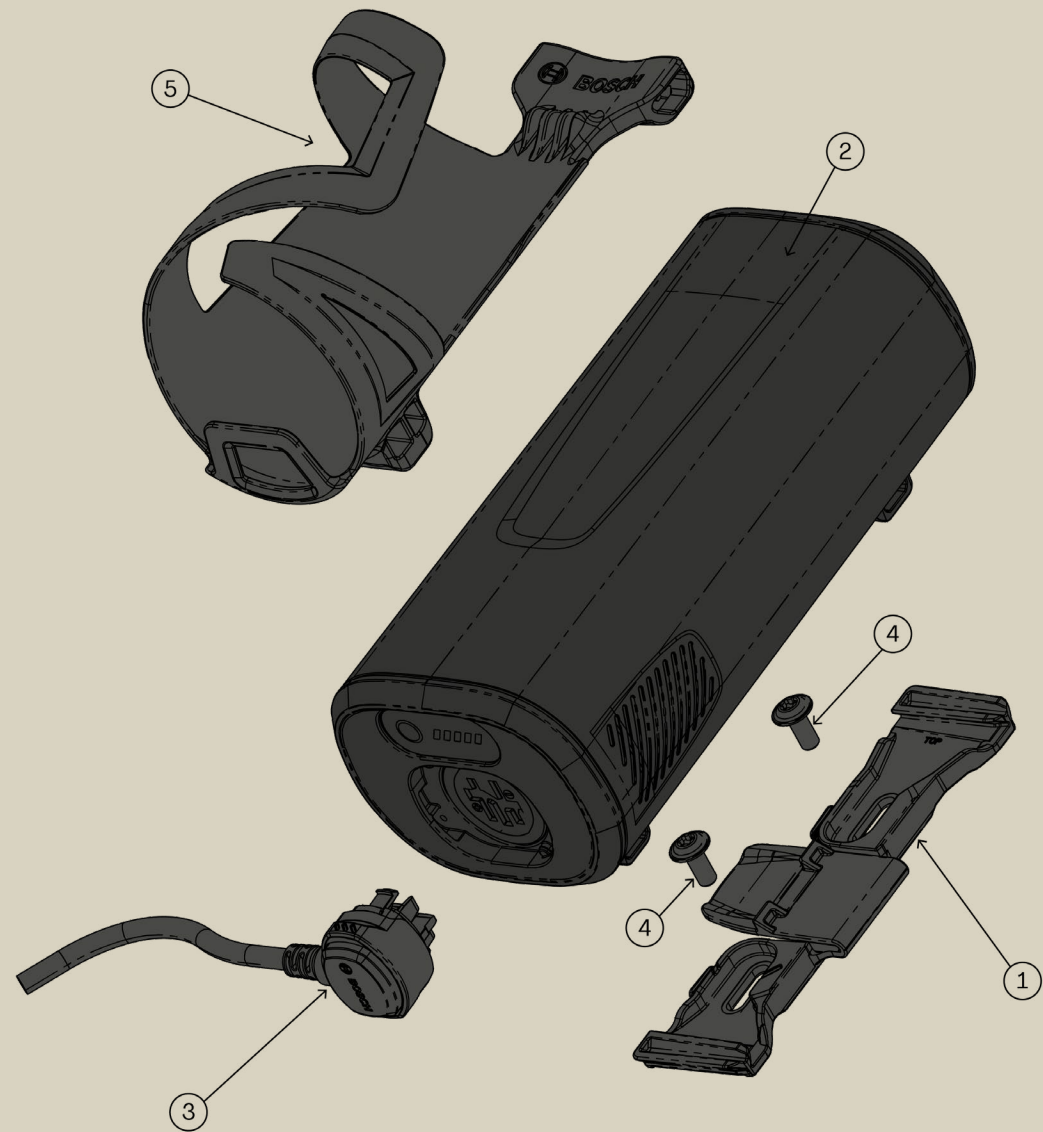
LEGEND

- Rear Brake Housing
- Rear Derailleur Housing
- Seat Post Housing
- Charging Port Cable
- Power Supply Cable
- Speed Sensor Cable
- Console Power Cable
- Cables outside the frame
- Cables inside the frame
- Anti-impact foam tube





SERVICE KITS



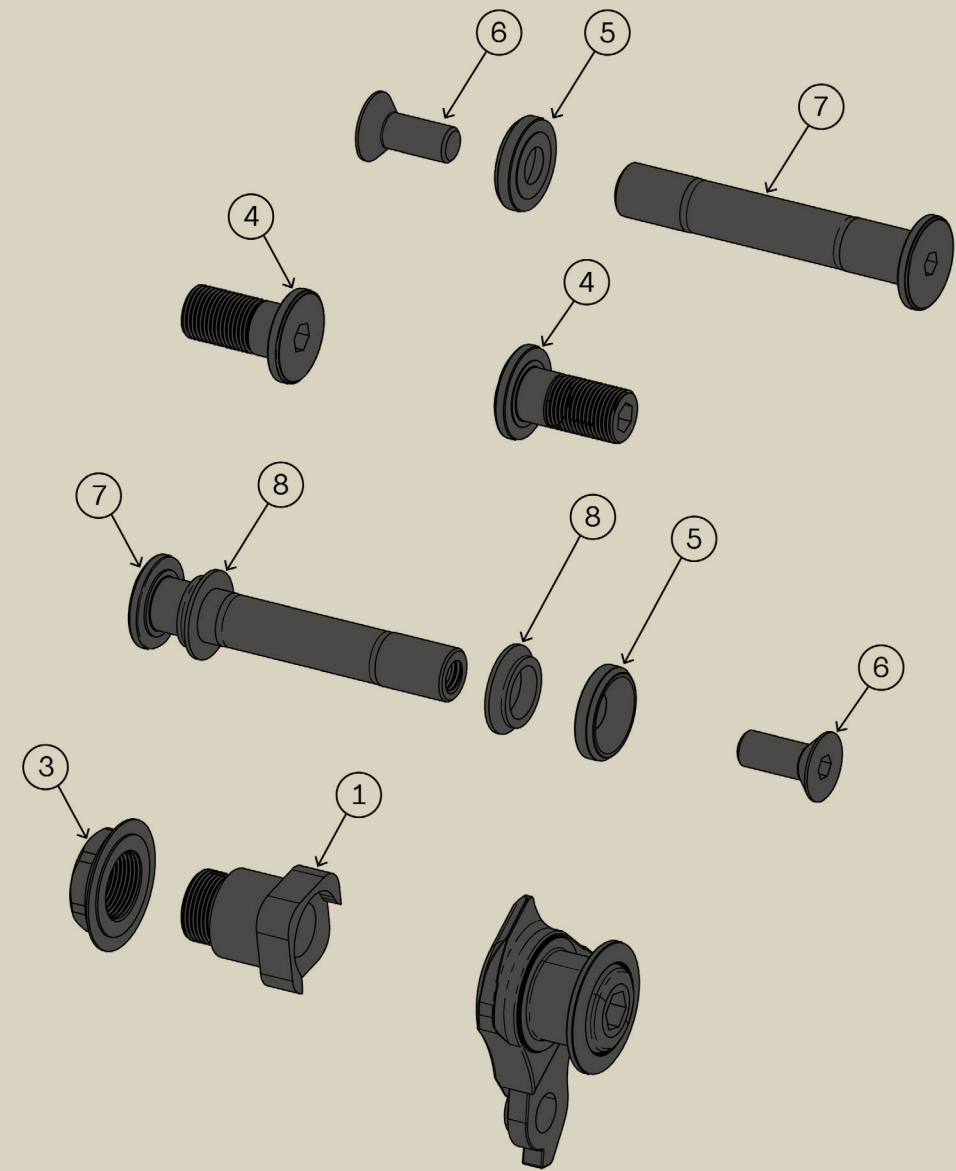
KFC07201 | KIT POWERMORE W/BOTTLE CAGE E-TROY LITE

KFC07201 E-TROY LITE 2024+			
ITEMS	PART #	DESCRIPTION	QTY
1	MABT24030	Holder PowerMore BOSCH	1
2	MABT24031	PowerMore 250 Wh BOSCH	1
3	MABT24040	Cable PowerMore 150 mm BOSCH	1
4	MFV24060	Screw M5x12 BOSCH	2
5	MAABC24001	Bottle Cage for PowerMore Holder	1

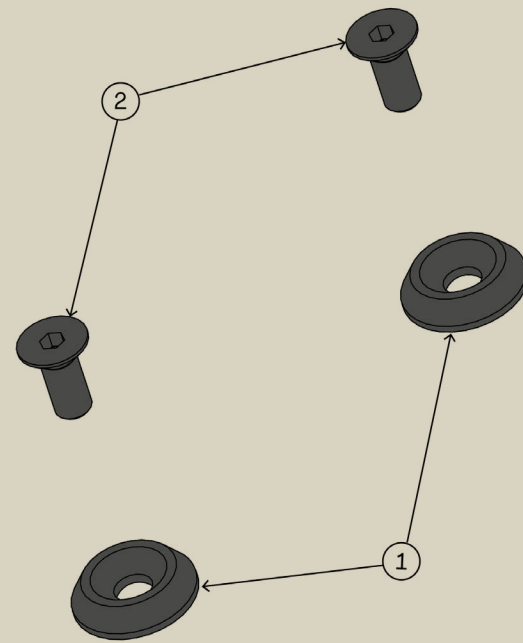


KFC07202 E-TROY LITE 2024+

ITEMS	PART #	DESCRIPTION	QTY
1	MFP24008	Dropout Pivot Left Shaft 20 mm	1
2	MFP21001	Hanger UDH	1
3	MFP24009	Pivot Nut for MR 20307 Bearing	1
4	MFV24016	Socket Cap Screw M12 x 1.0 x 21mm	2
5	MFV24008	Pivot Washer	2
6	MFV24012	Socket Flat Screw M8 x 1.25 x 20mm	2
7	MFP24010	Shaft 12x73	2
8	MFP24012	Pivot Spacer 12x16x4	2

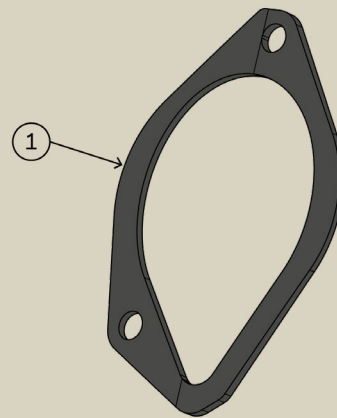


KFC07202 | KIT PIVOT E-TROY LITE



KFC07203 | BATTERY MOUNT BOLT W/WASHER E-TROY LITE

KFC07203 E-TROY LITE 2024+			
ITEMS	PART #	DESCRIPTION	QTY
1	MABT24030	Holder PowerMore BOSCH	2
2	MABT24031	PowerMore 250 Wh BOSCH	2

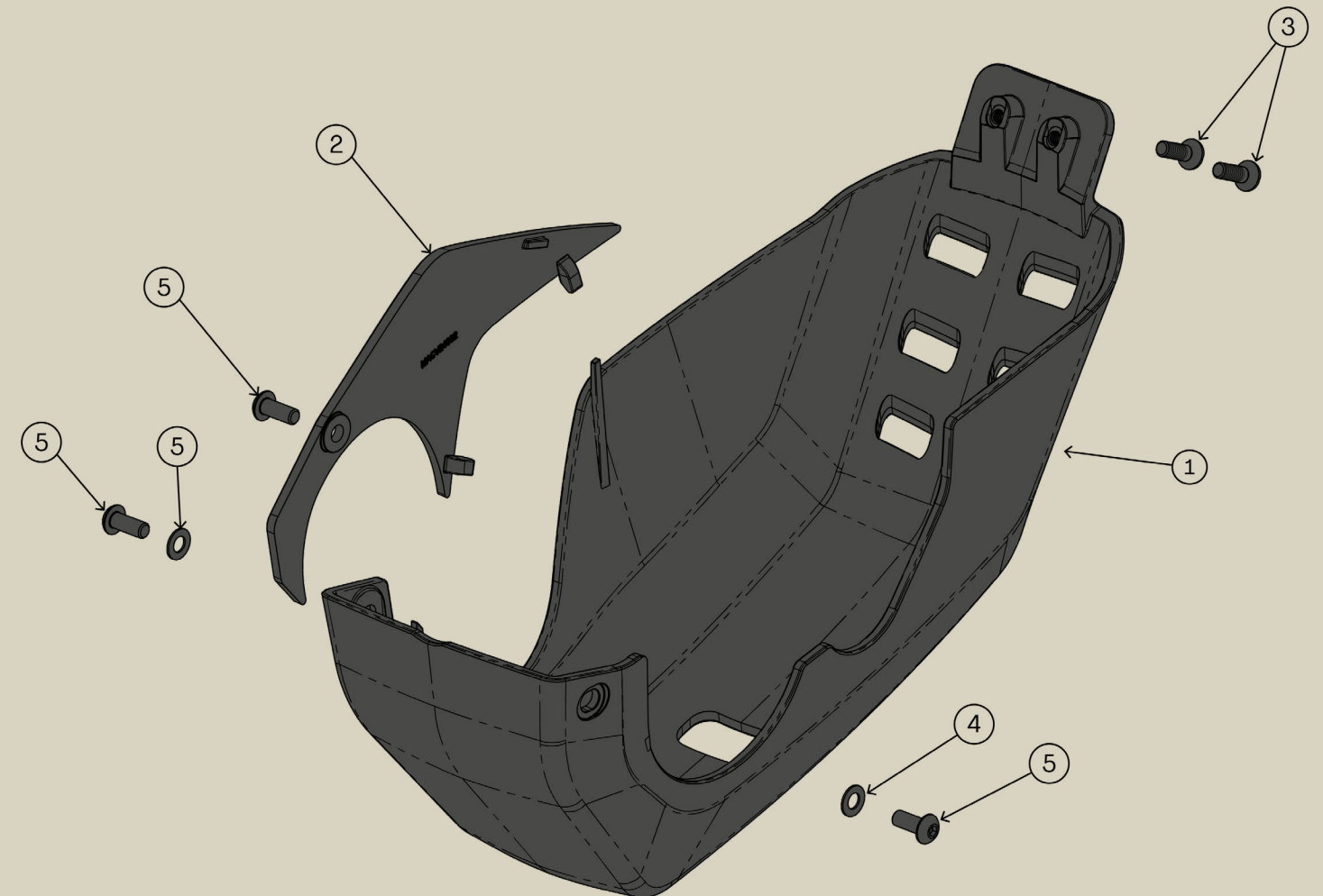


KFC07204 | CHARGING PORT SPACER E-TROY LITE

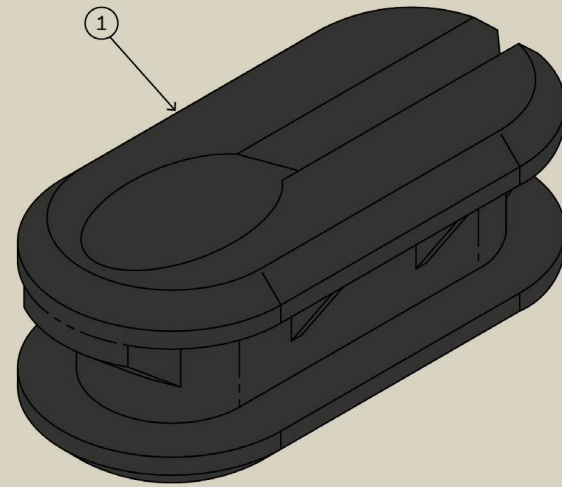
KFC07204 E-TROY LITE 2024+			
ITEMS	PART #	DESCRIPTION	QTY
1	MABT24030	Holder PowerMore BOSCH	2

KFC07205 E-TROY LITE 2024+

ITEMS	PART #	DESCRIPTION	QTY
1	MABT24030	Holder PowerMore BOSCH	2
2	MABT24031	PowerMore 250 Wh BOSCH	2
3	MABT24040	Cable PowerMore 150 mm BOSCH	6
4	MFV24060	Screw M5x12 BOSCH	
5	MAABC24001	Bottle Cage for PowerMore Holder	

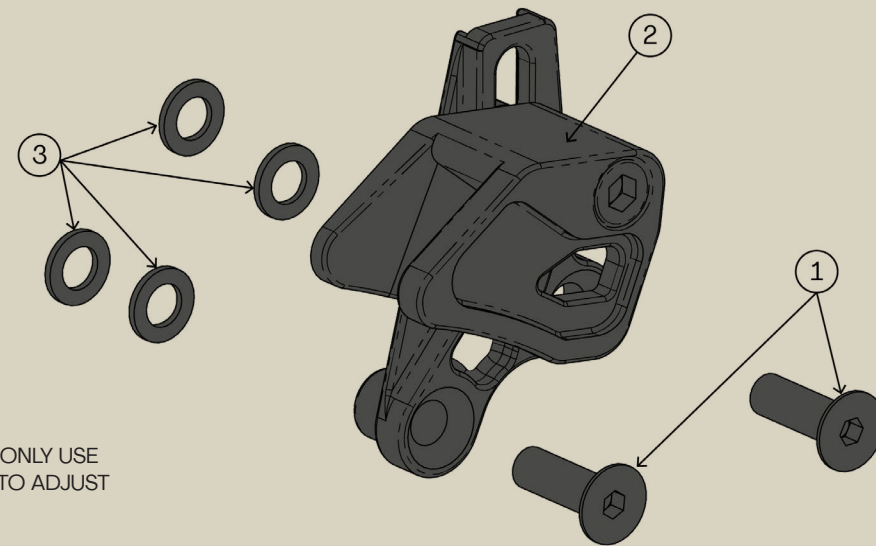


KFC07205 | KIT MOTOR COVER E-TROY LITE



KFC07206 | CHAINSTAY CABLE GUIDE E-TROY LITE

KFC07206 E-TROY LITE 2024+			
ITEMS	PART #	DESCRIPTION	QTY
1	MFB19008	Cable Guide 5mm	1



NOTE:
NOT ALL 4 WASHER ARE NECESSARY. ONLY USE THE CORRECT NUMBER OF WASHER TO ADJUST THE CHAIN GUIDE TO EACH FRAME.

KFC07207 | CHAIN GUIDE E-TROY LITE

KFC07207 E-TROY LITE 2024+			
ITEMS	PART #	DESCRIPTION	QTY
1	-	Flat Head HEX. Screw M5 x 16MM	2
2	MAGC24002	Chain Device CH-ES-LD DM	1
3	WASHER M5	O.D. 9.0	4



WARRANTY



DEVINCI'S RIDE IN PEACE WARRANTY

ALL OUR FRAMES HAVE A LIFETIME WARRANTY

WARRANTY PERIOD FROM DEVINCI CYCLES INC

The frames of cycles devinci inc. are guaranteed against all manufacturing defects, for the periods specified below, as of the date of the initial purchase. During these specific periods, devinci will replace or repair without charge, and at its discretion, the devinci frames that display a manufacturing defect. The parts replaced or repaired in accordance with this warranty, will be covered for a period equal to the remaining portion of the warranty of the original equipment. Replacement parts are subject to availability. In certain cases, color and/or model may differ from the original parts.

BICYCLE FRAMES & WARRANTY PERIOD

Since 2006, all the frames bike model, including all mountain, freeride, downhill frames and dirt jump are guaranteed for life. Paint and decals for all models of frame:

- 1 year the pivots* for double suspension frames;
- 1 year the components assembled on devinci frames are guaranteed by their respective manufacturers.

Please contact your authorized devinci retailer. For more information regarding the applicable warranties.

*The pivots include the bearings, bolts and axles holding together the elements of the suspension of the rear triangle.

WARRANTY EXCLUSIONS

Each devinci bicycle was conceived for a specific use. The operational life of a bicycle varies according to its construction, maintenance and the care provided. Intensive use or use with a heavy load, use during competitions or for activities other than those for which the bicycle was conceived, greatly diminish its operational life. Any of these conditions may lead to random failure. Abusive use will therefore cancel the warranty.

EXCHANGE POLICY IN CASE OF ACCIDENT

Devinci is aware that the purchase of a high performance bicycle is done with the heart. This is why our customer service applies an exchange policy at a low price to accommodate claims that would have been refused for one of the reasons mentioned in the section "warranty exclusions". This policy applies only to the initial buyer. Please contact your devinci retailer for more information.

Limitation of liability: this is an integral warranty, complete and final, for devinci frames. Devinci does not give authorization to any other person, including the authorized devinci retailers, to assume or grant, expressly or implicitly, any or all addition(s) or extension(s) to the warranty specified herein. Any other obligation or responsibility expressed by any other person(s) and any demonstration or illustration of devinci frames is in no way linked to devinci and is furthermore excluded from this warranty.

Devinci assumes no liability in case of any property damage, moral or bodily injury to the user, the buyer or any other person(s), resulting from the use of a devinci frame or one of its components.

Except as limited or expressly forbidden by law, regarding any other condition or guarantee, express or implied, based in law, established commercial customs and usage, including, but not limited to, guarantee of merchantability or adaptation to a specific end, devinci declines any responsibility for any amount exceeding the actual purchase price of the bicycle nor for any particular, accessory or consecutive damages that may occur in connection with said bicycle.

With regard to the exercising of rights resulting from the present warranty, the buyer of a devinci frame agrees to elect domicile in the judicial district of chicoutimi, in the province of quebec, canada, as an appropriate place for the hearing of all claims or legal proceedings.



WARRANTY CONDITIONS

THIS WARRANTY DOES NOT COVER :

- Regular maintenance (cleaning, lubrication or inspection);
- TranOptimum S or shipping charges incurred as a result of the execution of the warranty;
- Cost of labour related to the assembly, disassembly, repair or replacement parts;
- Damages caused by normal wear and tear including damages caused by material fatigue.

THIS WARRANTY DOES NOT APPLY IF :

- The damages were caused by a fortuitous event;
- The bicycle was purchased from a retailer other than those authorized by devinci;
- The bicycle was not entirely assembled by an authorized devinci retailer;
- The bicycle was repaired by a person other than an authorized devinci retailer;
- You are not the original owner of the bicycle;
- The instructions contained in the user's manual for all frames and the technical manual for frames with double suspension were not respected;
- The periodic inspection recommended in the user's manual for all frames and in the technical manual for the frames with double suspension was not carried out;
- Parts not supplied by devinci with the bicycle or not indicated in the user's manual for all frames or the technical manual for the frames with double suspension were used;
- The bike paint is damaged as a result of an adhesive frame protector installation;
- The bicycle was used for an activity other than those for which it was conceived;
- The bicycle and/or its components were subject to abusive use, negligence, abnormal and/or excessive use or was implicated in an accident;
- The frame is too small for you;
- The frame and/or its components were modified (ex: polishing, structural or mechanical modification or addition, stripping, sanding, strain hardening, shot peening);
- You continued to use your bicycle while it was damaged.



Siège social

1555 Manic
Chicoutimi (Quebec) Canada
G7K 1G8

www.devinci.com
