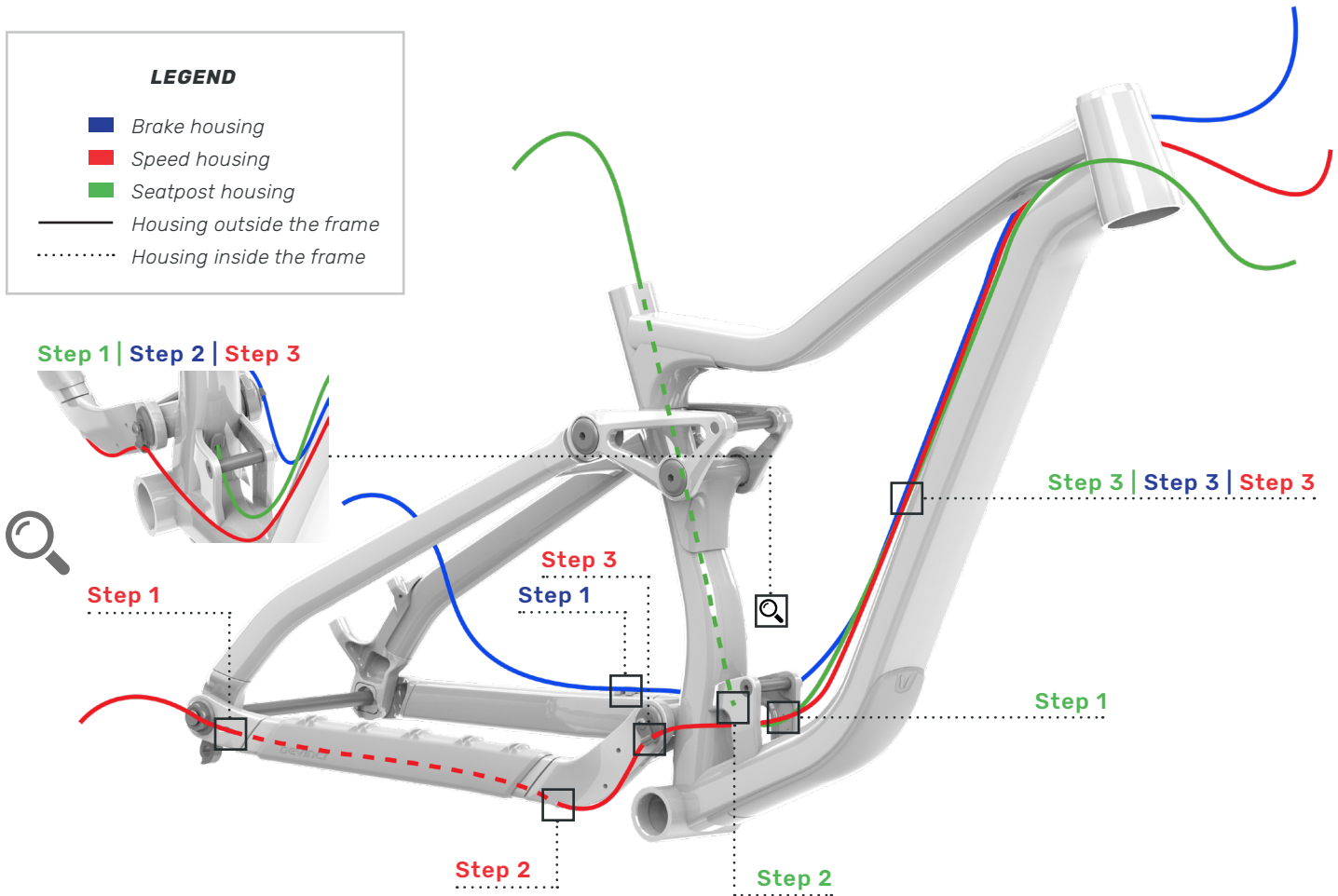


**LEGEND**

- Brake housing
- Speed housing
- Seatpost housing
- Housing outside the frame
- ⋯⋯⋯ Housing inside the frame



## BRAKE HOUSING

**Step 1** | Secure the housing to the support provided for this purpose on the left side of the chainstay.

**Step 2** | Thread the housing through the support provided for this purpose located at the level of the pivot on the left side of the chainstay.

**Step 3** | Secure the housing to the supports provided for this purpose along the left side of the down tube.

## SPEED HOUSING

**Step 1** | Thread the rear gear housing through the chainstay from the front opening of the chainstay.

**Step 2** | Pull the housing out through the rear opening of the chainstay with the help of a hook if necessary.

**Step 3** | Clip the housing in the chainstay pivot support.

**Step 4** | Secure the housing to the supports provided for this purpose along the left side of the down tube.

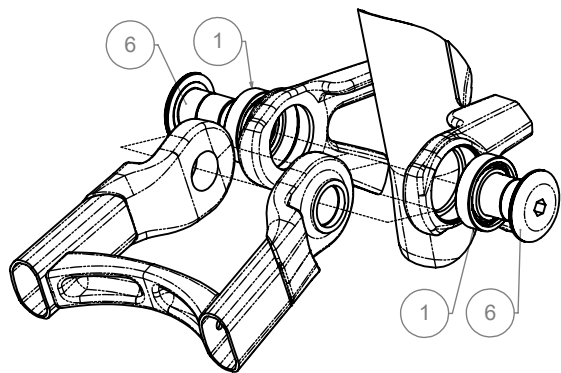
## SEATPOST HOUSING

**Step 1** | Thread the housing under the lower shock mount.

**Step 2** | Thread the dropper housing from the bottom of the seat tube to the top of it.

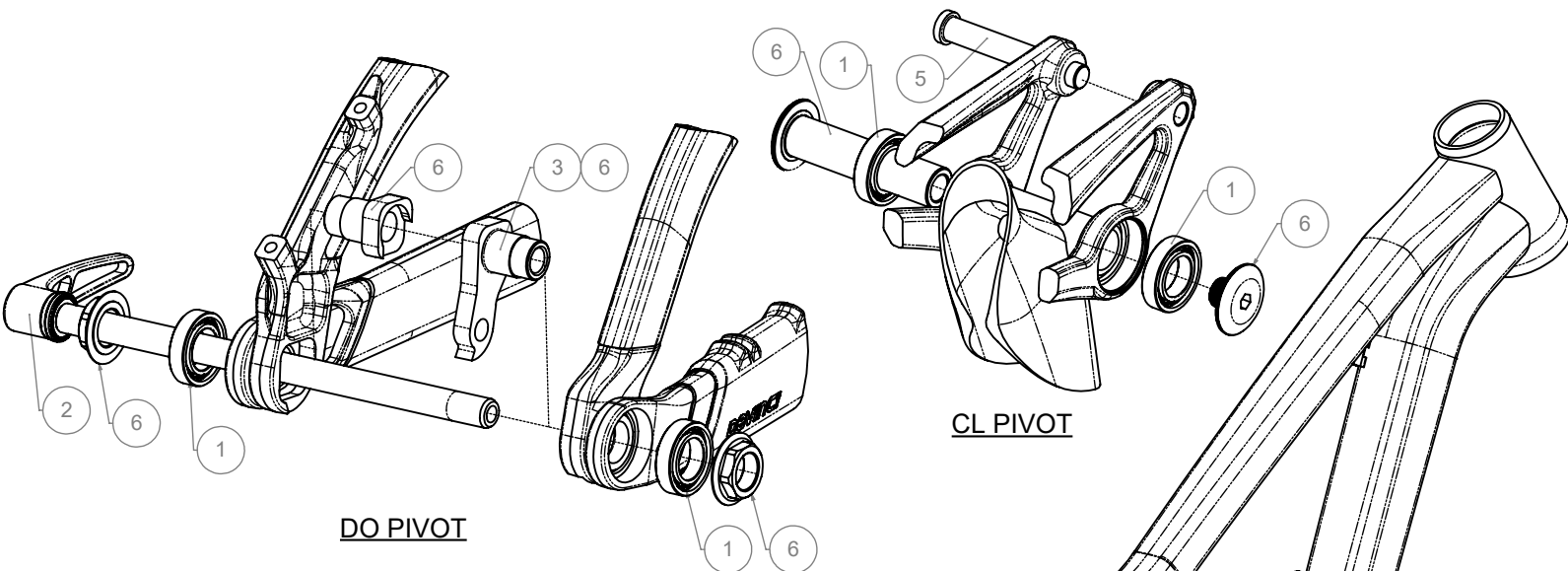
**Step 3** | Fix the housing to the right side of the guides on the down tube.

\* Follow the manufacturer's instructions to adjust dropper cable length.



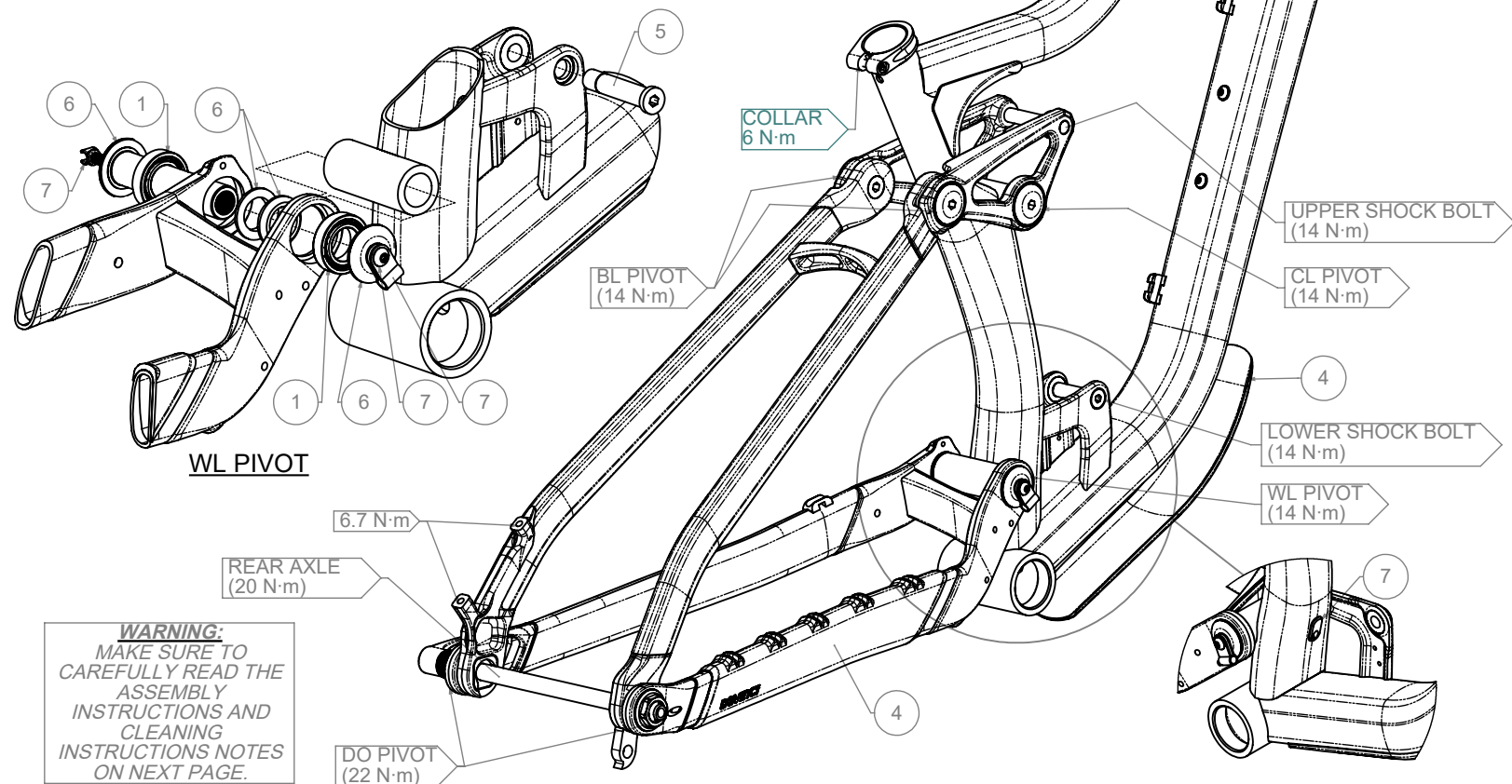
**BL PIVOT**

Marshall		
ITEMS	#SERVICE KIT	DESCRIPTION
1	KFC11024	Bearing kit Split pivot
2	KFC19011	Rear Axle Boost148*12mm/201mm
3	KFC11051	Derailleur Hanger Split Pivot 12x142/148
4	KFC04302	Protector Kit
5	KFC05201	Split pivot Alloy Shock bolt Black
6	KFC05202	Pivot kit Shaft Marshall Alloy Black
7	KFC05203	Cable guide Kit



**DO PIVOT**

**CL PIVOT**



**WARNING:**  
MAKE SURE TO CAREFULLY READ THE ASSEMBLY INSTRUCTIONS AND CLEANING INSTRUCTIONS NOTES ON NEXT PAGE.