

WE MAKE RIDERS

CHICOUTIMI, QUÉBEC



TECHNICAL MANUAL

CHAINSAW 2023+

DEVINCI



TABLE OF CONTENTS

Frame: Technical Specifications

4

Cable Routing

6

Service Kits

8

Assembly Tips

10

Devinci's Ride in Peace warranty

14

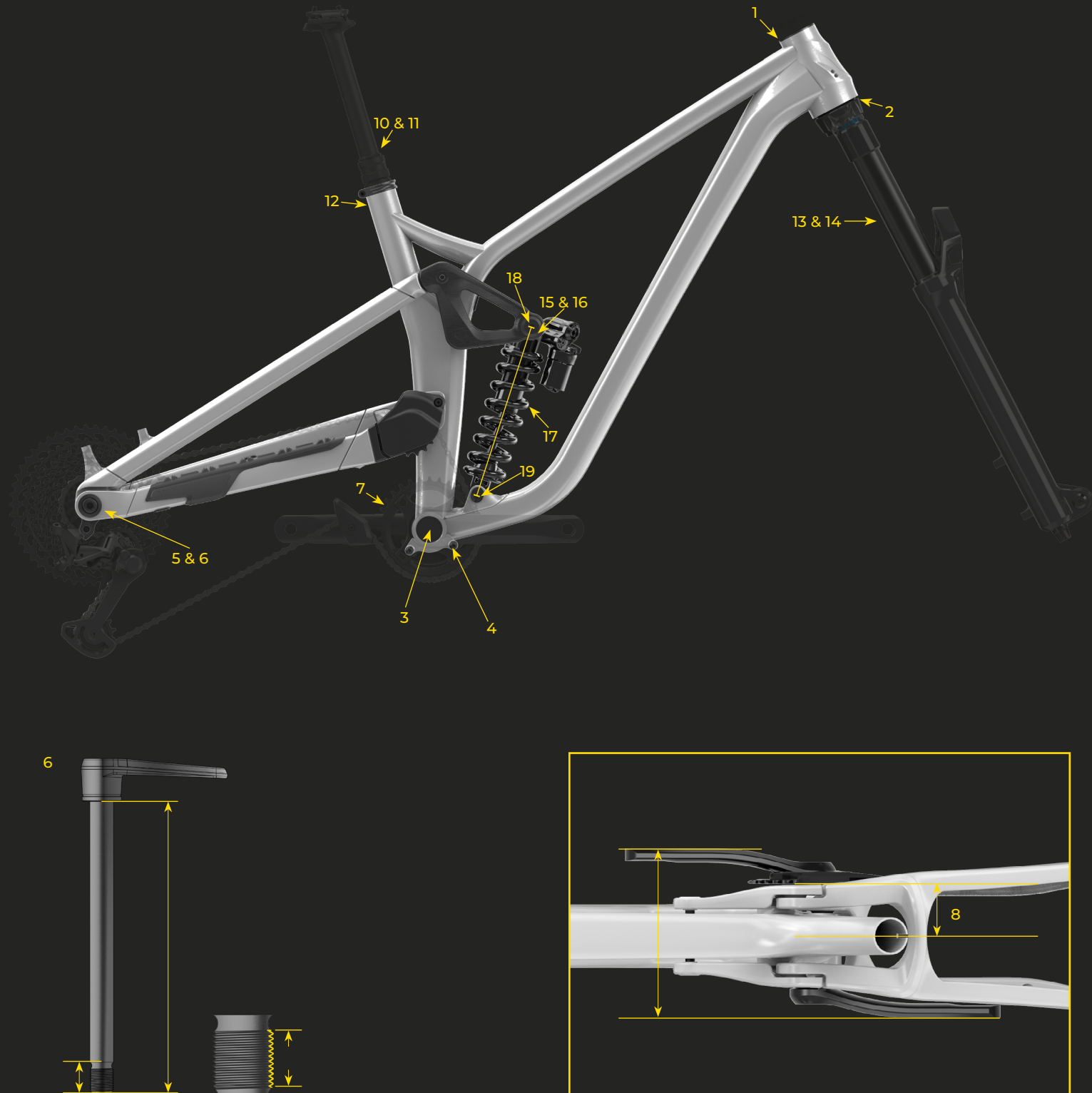
Warranty Conditions

15

HEAD TUBE DIMENSIONS		
1. UPPER (S.H.I.S)	ZS44	1-1/8" Zerostack
2. LOWER (S.H.I.S)	ZS56	1.5" Zerostack
CRANKSET		
3. STANDARD	73mm BSA	
4. ISCG MOUNT	ISCG 05, fixed	
MECHANICAL TRANSMISSION (1X)		
5. REAR HUB SPACING O.L.D (Over Locknut Dimension)	TA 12 x 157	
6. AXLE STOCK IMPORTANT INFOS	A. LENGTH: 197 B. THREAD: 1.0MM C. PITCH : M12xP1	
7. MAXIMUM & MINIMUM CHAINING	38T	28T
8. RECOMMENDED CHAINLINE	56.5mm	
9. MINIMUM Q-FACTOR	173mm	
SEATPOST AND SEATCLAMP		
10. SEATPOST INSIDE DIAMETER (ID)	34.9mm	
11. SEATPOST LENGTH (P,M,G, TG)	225mm, 250mm 285mm & 300mm	
12. SEAT TUBE OUTSIDE DIAMETER (OD)	39.3mm	
COMPATIBILITY INFO (BASED ON MEDIUM SIZE)		
29er FORK 170MM TRAVEL 170MM		
13. FRONT SUSPENSION (TRAVEL & SAG)	170mm	25%
14. FORK AXLE-TO-CROWN & OFFSET	581mm	51%
15. REAR SUSPENSION (TRAVEL & SAG)	170mm	25%
16. SHOCK LENGTH & STROKE	225mm	
17. SPRING TYPE COMPATIBILITY	AIR & COIL	
18. UPPER (OR FRONT) SHOCK HARDWARE DIMENSION	65 mm (Trunnion)	
19. LOWER (OR REAR) SHOCK HARDWARE DIMENSION	40 X 10mm	
20. FRONT & REAR WHEEL GEOMETRY	748	748
21. REAR WHEEL MAX DIMENSIONS	29x2.5*	
22. BRAKE MOUNT	Post mount 200mm direct	
COMPATIBILITY INFO (BASED ON MEDIUM SIZE)		
MULLET FORK 190MM TRAVEL 170MM		
13. FRONT SUSPENSION (TRAVEL & SAG)	190mm	25%
20. FRONT & REAR WHEEL GEOMETRY	748	715
21. REAR WHEEL MAX DIMENSIONS	29 x 2.5*	

*DISCLAIMER: We are testing many different tires to establish a clearance number that cover a wide spectrum of tires with appropriate frame clearance. However, it is impossible for us to test all tires and rim combination available on the market, so be mindful that some combinations may result in slight rubbing if higher than 66mm in actual width.

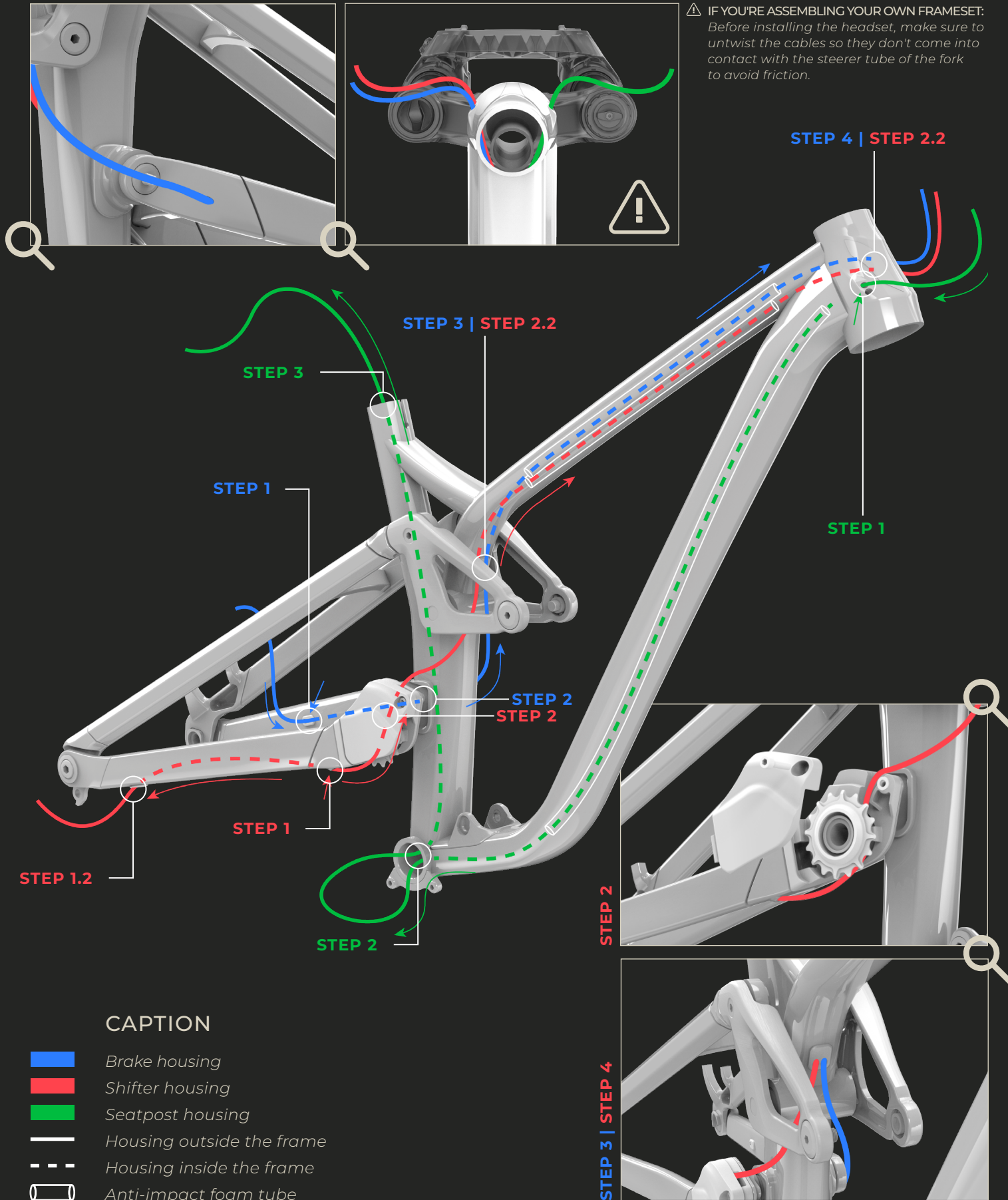
Sizes available
S | M | L | XL



STEP 2

STEP 1 | STEP 4 | STEP 5

⚠ IF YOU'RE ASSEMBLING YOUR OWN FRAMESET:
Before installing the headset, make sure to untwist the cables so they don't come into contact with the steerer tube of the fork to avoid friction.



CABLE ROUTING

BRAKE HOUSING

STEP 1 | Install the rubber cap on the cavity inside the base and pass the brake housing through the interstice.

STEP 2 | Pull out the housing through the cavity located on the exterior surface of the base.

STEP 3 | Pass the brake housing in the opening on the left of the cable guide located on the seat tube, and slide the anti-impact foam tube (40cm) on the housing through the top tube.

i Make sure that the anti-impact foam tube is only found in the top tube and not in the head tube. This will avoid friction with the steering column of the fork.

STEP 4 | Pull out the brake housing through the left upper cavity located on the head tube.

SHIFTER HOUSING

STEP 1 | Pass the speed housing through the front opening under the base.

STEP 1.2 | Take the shifter housing out through the cavity under the base, at the back. In case you have difficulty bringing out the housing, use a hook to pull it out, then install the rubber cap.

STEP 2 | Pass the speed housing under the pulley cap.

STEP 2.2 | Pass the shifter housing in the opening on the right of the cable guide located on the seat tube, and slide the anti-impact foam tube (40cm) on the housing through the top tube.

i Make sure that the anti-impact foam tube is only found in the top tube and not in the head tube. This will avoid friction with the steering column of the fork.

STEP 2.3 | Take the housing out through the left lower cavity located on the head tube.

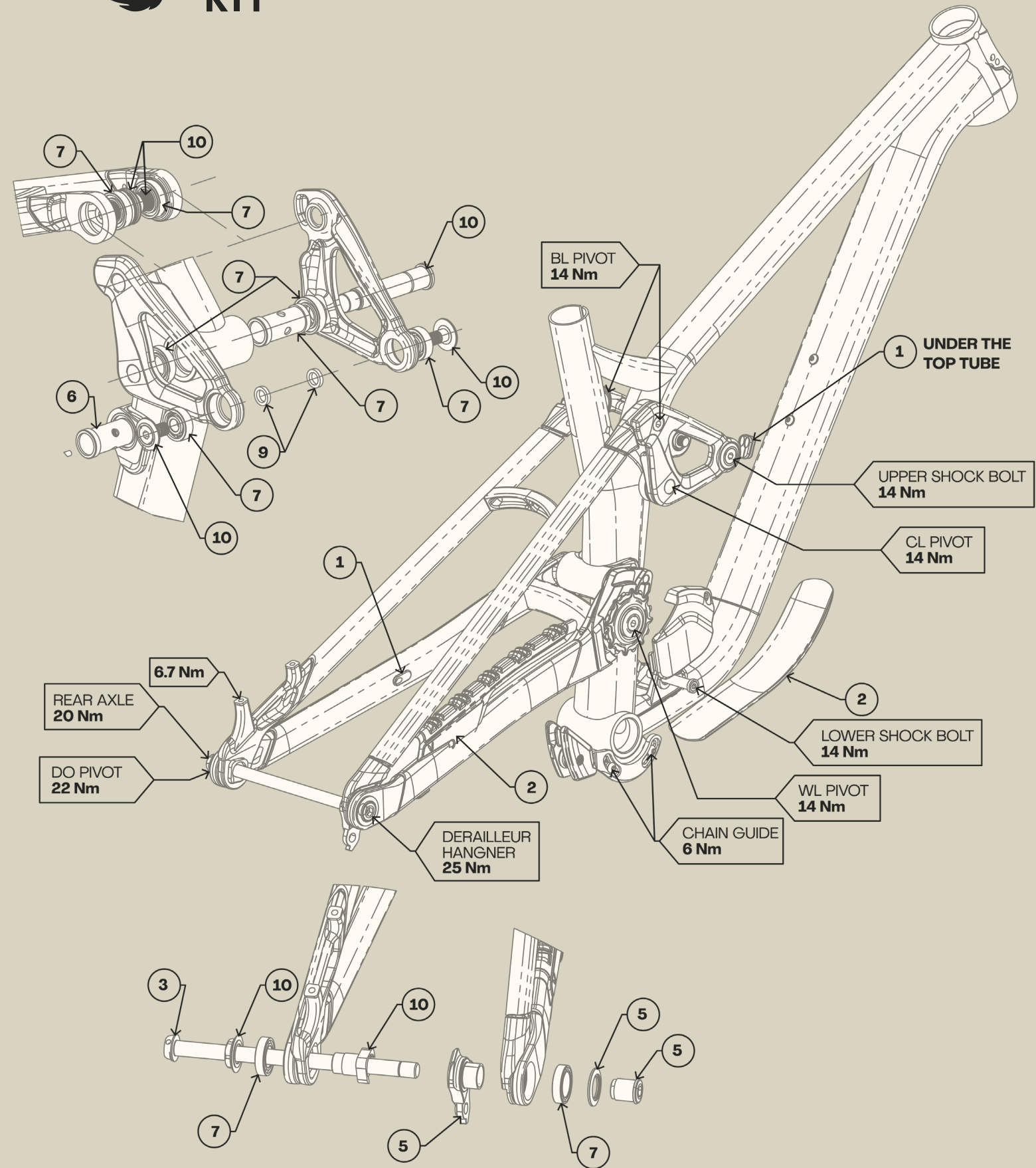
SEATPOST HOUSING

STEP 1 | Pass the seatpost housing through the upper cavity on the right side of the head tube.

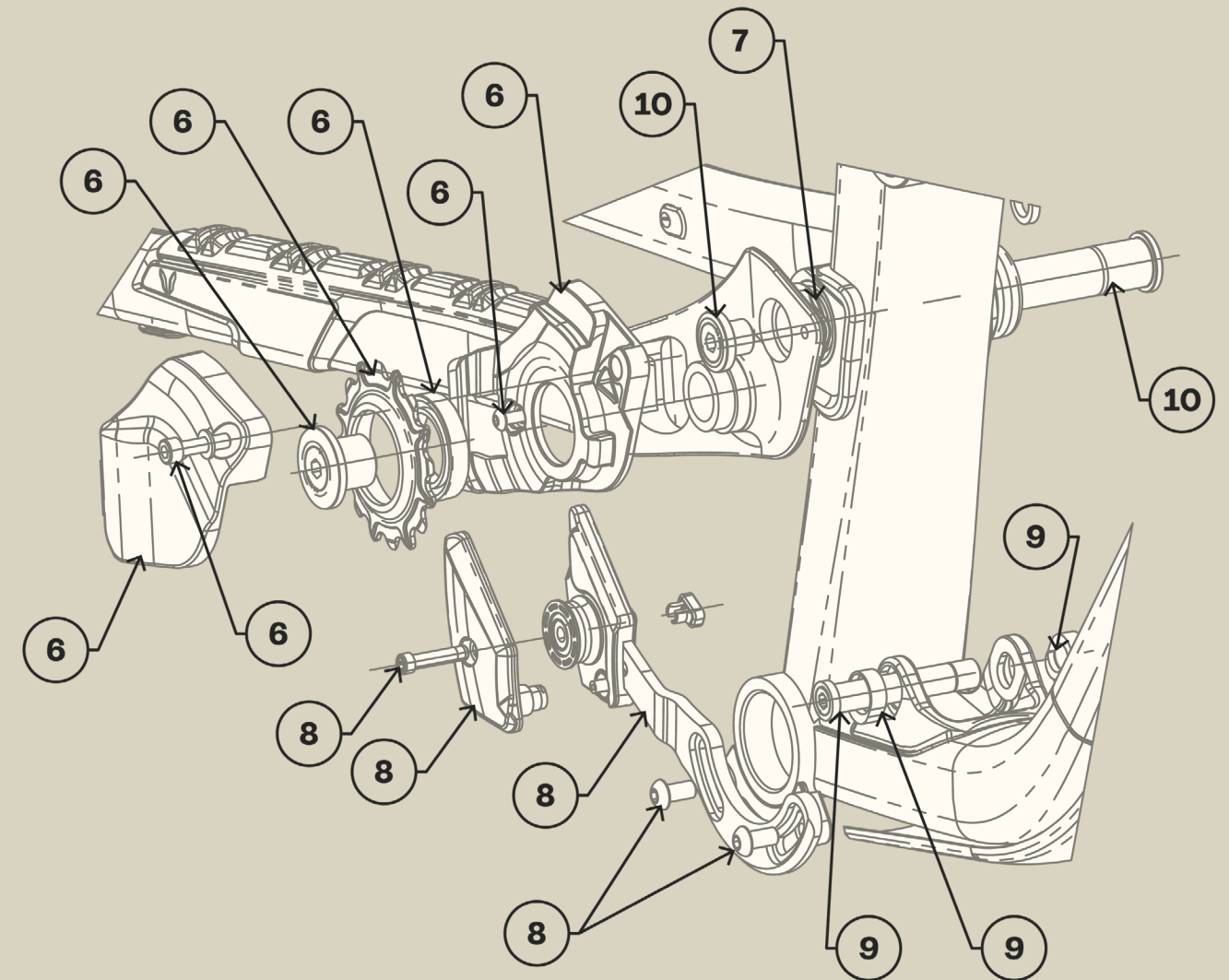
STEP 2 | Take the seatpost housing out through the bottom bracket cavity. Slide the anti-impact foam tube (60cm) on the housing all the way through the down tube. Create a loop with the housing to reintegrate it into the seat tube.

i Make sure that the anti-impact foam tube is only found in the top tube and not in the down tube. This will avoid friction with the steering column of the fork.

STEP 3 | Pull out the seatpost housing at the end of the seat tube.



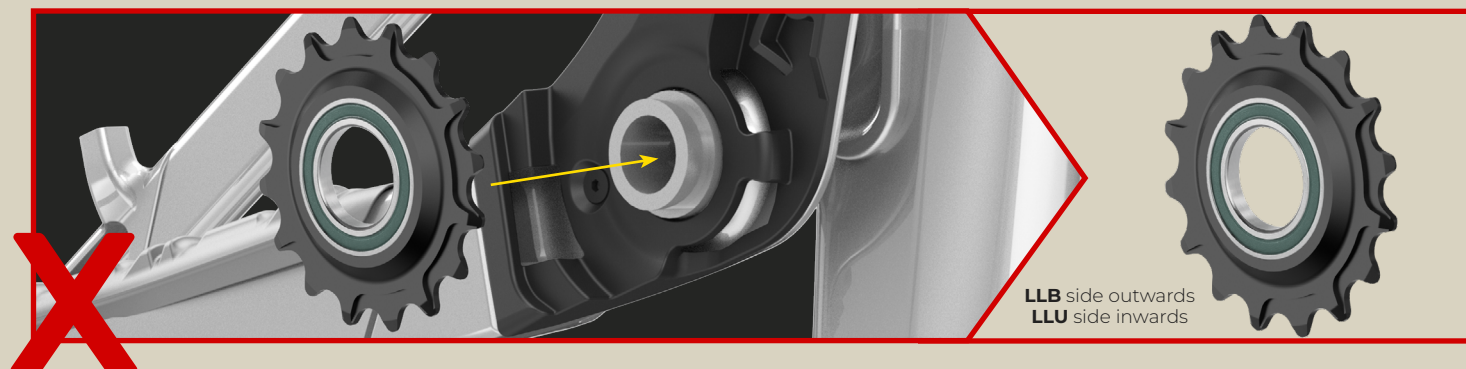
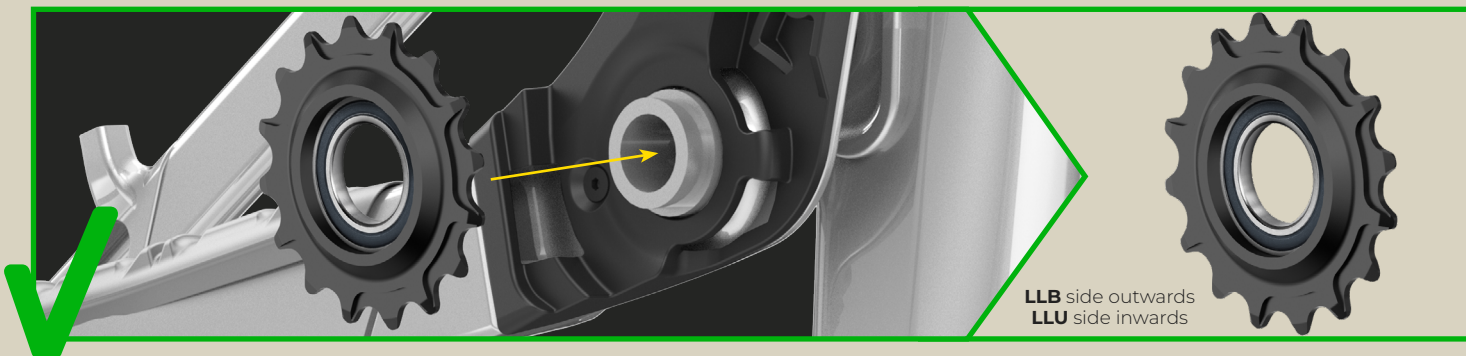
CHAINSAW ALUMINUM 29 HP 2023+		
ITEMS	# SERVICE KIT	DESCRIPTION
1	KFC04501	Chainsaw Cable Guide Kit
2	KFC04502	Chainsaw Protector Kit
3	KFC04403	Rear Axle SuperBoost157*12mm UDH
4	KFC16053	Foam Kit for Internal Routing
5	KFC05602	Derailleur Hanger
6	KFC04404	Idler Assembly
7	KFC04405	Bearing kit Split Pivot HP
8	KFC04406	Lower Pulley kit
9	KFC03502	Shock Bolt
10	KFC04503	Pivotkit Shaft Kit



ASSEMBLY TIPS

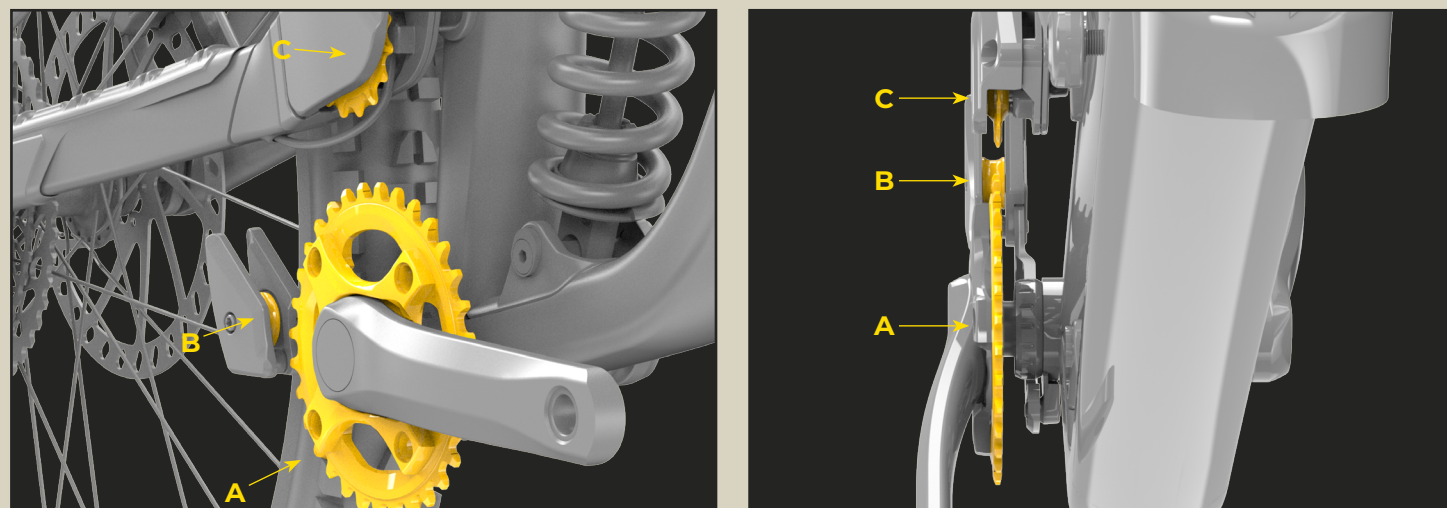
1. Idler

Make sure to insert the base ("flange") outward when positioning the idler.
 → The LLU side is normally green and is positioned inwards, while the LLB side, which is usually black, is positioned outwards.



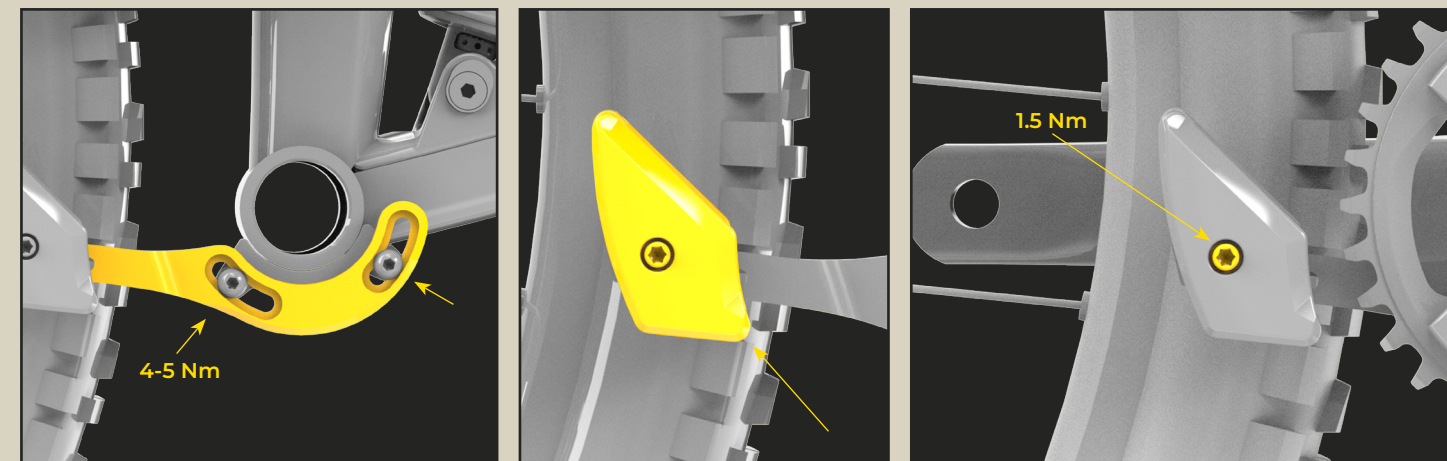
2. Pulleys Alignment

Make sure that the chainring (A), the chain guide (B) and the idler (C) are aligned.



3. Chain Guide

- 3.1 Make sure that the chain guide frame attachment is adjusted to three-quarters.
- 3.2 Make sure that the chain guide is adjusted as far as possible towards the rear of the bicycle.
- 3.3 Make sure that the torque exerted on the pulley is equal to 1.5 Nm.



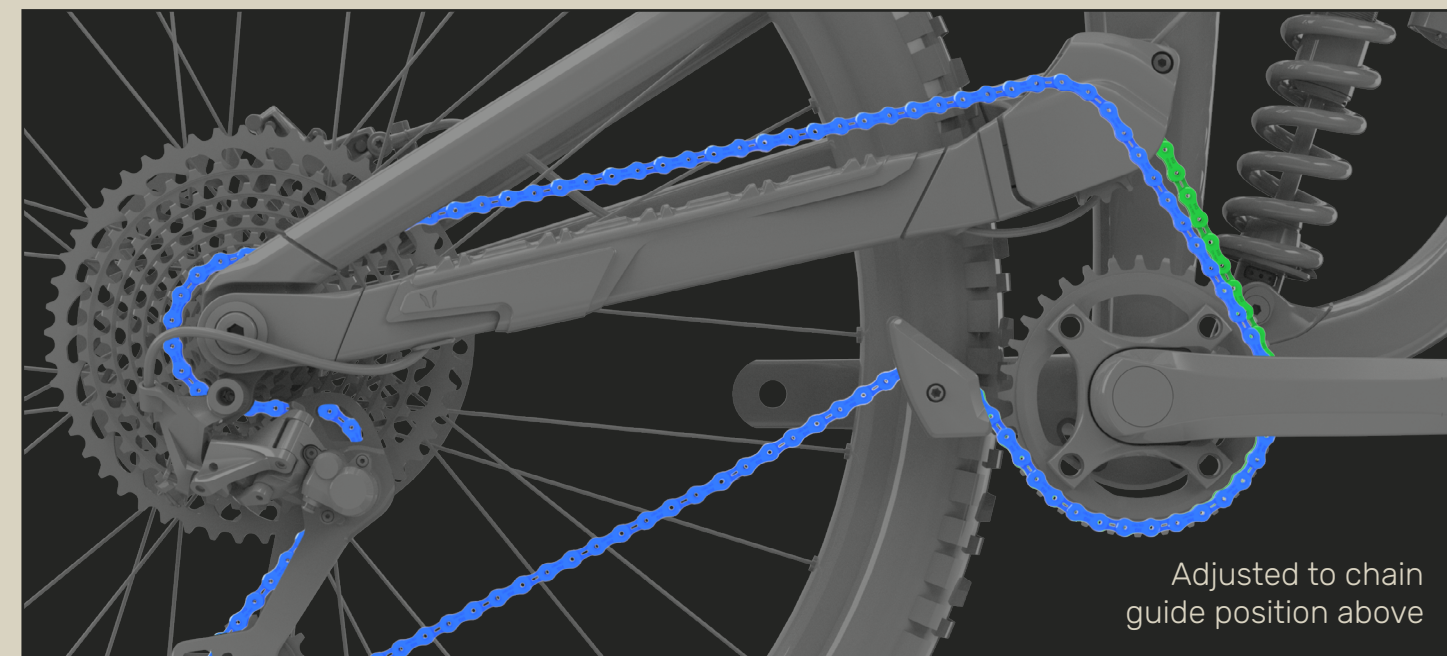
3.1

3.2

3.3

4. Chain

- SMALL/MÉDIUM**: Make sure the chain has 124 links.
- LARGE/X-LARGE**: Make sure the chain has 126 links.



Adjusted to chain guide position above



5. Crankset

Make sure to follow the following instructions for each assembly kit:

**GX
DH**

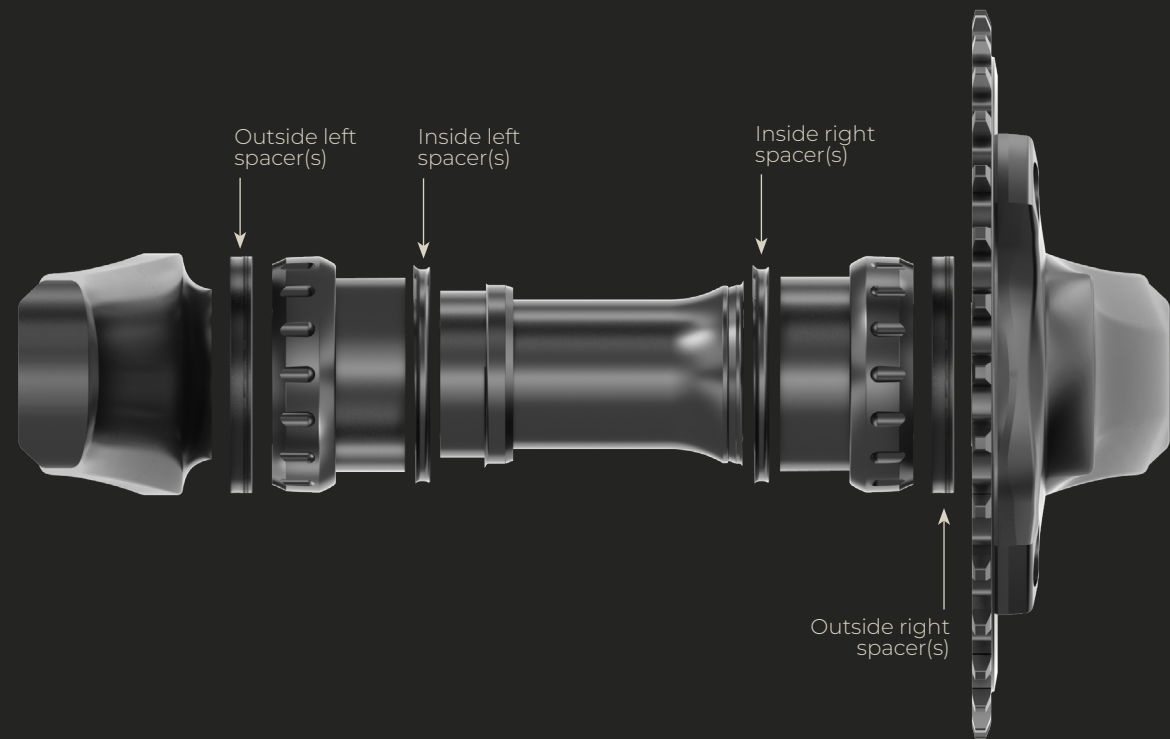
Interface and width of the frame shell (mm)		Crankset	Outside left spacer(s) (mm)	Inside left spacer(s) (mm)	Inside right spacer(s) (mm)	Outside right spacer(s) (mm)
BSA	73	Super Boost	4.5	-	-	9

**GX
12S**

Interface and width of the frame shell (mm)		Crankset	Outside left spacer(s) (mm)	Inside left spacer(s) (mm)	Inside right spacer(s) (mm)	Outside right spacer(s) (mm)
BSA	73	Super Boost	4.5	-	-	9

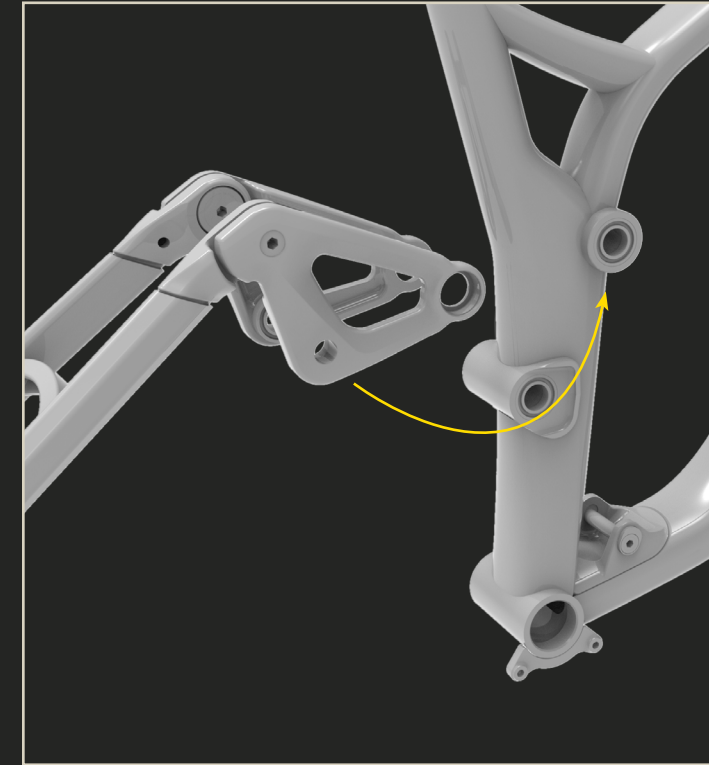
**SX
12S**

Interface and width of the frame shell (mm)		Crankset	Outside left spacer(s) (mm)	Inside left spacer(s) (mm)	Inside right spacer(s) (mm)	Outside right spacer(s) (mm)
BSA	73	Super Boost	4.5	-	-	9



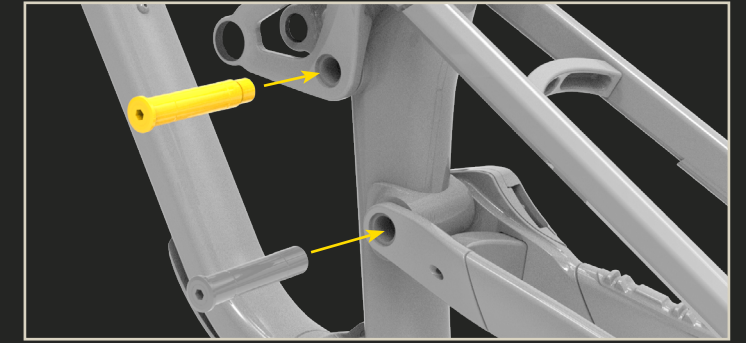
6. Upper Pivot

Make sure to loosely assemble the linkages with the seatstay before installing them on the bike.



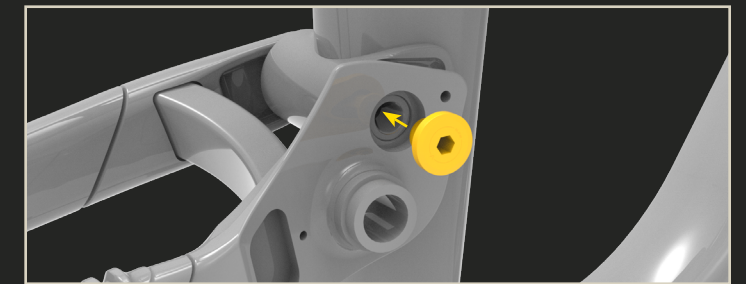
7. Upper Pivot Thread

Make sure not to get grease on the threads of the upper and lower shaft:



8. Lower Pivot

Fix the lower shaft by screwing the nut on the drive side of the bike:



9. Configuration Hi/Lo

GX 12s & SX 12s builds → The configuration will be adjusted on Low at the delivery. It is possible to modify this configuration according to your needs.



GX DH build → The configuration will be adjusted on High at the delivery. It is recommended to keep the original configuration since it is designed to have optimal geometry with the 27.5" wheel arrangement at the rear mixed with the 29" wheel arrangement at the front (Mullet).





DEVINCI'S RIDE IN PEACE WARRANTY

ALL OUR FRAMES HAVE A LIFETIME WARRANTY

WARRANTY PERIOD FROM DEVINCI CYCLES INC

The frames of cycles devinci inc. are guaranteed against all manufacturing defects, for the periods specified below, as of the date of the initial purchase. During these specific periods, devinci will replace or repair without charge, and at its discretion, the devinci frames that display a manufacturing defect. The parts replaced or repaired in accordance with this warranty, will be covered for a period equal to the remaining portion of the warranty of the original equipment. Replacement parts are subject to availability. In certain cases, color and/or model may differ from the original parts.

BICYCLE FRAMES & WARRANTY PERIOD

Since 2006, all the frames bike model, including all mountain, freeride, downhill frames and dirt jump are guaranteed for life. Paint and decals for all models of frame:

- 1 year the pivots* for double suspension frames;
- 1 year the components assembled on devinci frames are guaranteed by their respective manufacturers.

Please contact your authorized devinci retailer. For more information regarding the applicable warranties.

*The pivots include the bearings, bolts and axles holding together the elements of the suspension of the rear triangle.

WARRANTY EXCLUSIONS

Each devinci bicycle was conceived for a specific use. The operational life of a bicycle varies according to its construction, maintenance and the care provided. Intensive use or use with a heavy load, use during competitions or for activities other than those for which the bicycle was conceived, greatly diminish its operational life. Any of these conditions may lead to random failure. Abusive use will therefore cancel the warranty.

EXCHANGE POLICY IN CASE OF ACCIDENT

Devinci is aware that the purchase of a high performance bicycle is done with the heart. This is why our customer service applies an exchange policy at a low price to accommodate claims that would have been refused for one of the reasons mentioned in the section "warranty exclusions". This policy applies only to the initial buyer. Please contact your devinci retailer for more information.

Limitation of liability: this is an integral warranty, complete and final, for devinci frames. Devinci does not give authorization to any other person, including the authorized devinci retailers, to assume or grant, expressly or implicitly, any or all addition(s) or extension(s) to the warranty specified herein. Any other obligation or responsibility expressed by any other person(s) and any demonstration or illustration of devinci frames is in no way linked to devinci and is furthermore excluded from this warranty.

Devinci assumes no liability in case of any property damage, moral or bodily injury to the user, the buyer or any other person(s), resulting from the use of a devinci frame or one of its components.

Except as limited or expressly forbidden by law, regarding any other condition or guarantee, express or implied, based in law, established commercial customs and usage, including, but not limited to, guarantee of merchantability or adaptation to a specific end, devinci declines any responsibility for any amount exceeding the actual purchase price of the bicycle nor for any particular, accessory or consecutive damages that may occur in connection with said bicycle.

With regard to the exercising of rights resulting from the present warranty, the buyer of a devinci frame agrees to elect domicile in the judicial district of chicoutimi, in the province of quebec, canada, as an appropriate place for the hearing of all claims or legal proceedings.



WARRANTY CONDITIONS

THIS WARRANTY DOES NOT COVER :

- Regular maintenance (cleaning, lubrication or inspection);
- TranOptimum S or shipping charges incurred as a result of the execution of the warranty;
- Cost of labour related to the assembly, disassembly, repair or replacement parts;
- Damages caused by normal wear and tear including damages caused by material fatigue.

THIS WARRANTY DOES NOT APPLY IF :

- The damages were caused by a fortuitous event;
- The bicycle was purchased from a retailer other than those authorized by devinci;
- The bicycle was not entirely assembled by an authorized devinci retailer;
- The bicycle was repaired by a person other than an authorized devinci retailer;
- You are not the original owner of the bicycle;
- The instructions contained in the user's manual for all frames and the technical manual for frames with double suspension were not respected;
- The periodic inspection recommended in the user's manual for all frames and in the technical manual for the frames with double suspension was not carried out;
- Parts not supplied by devinci with the bicycle or not indicated in the user's manual for all frames or the technical manual for the frames with double suspension were used;
- The bike paint is damaged as a result of an adhesive frame protector installation;
- The bicycle was used for an activity other than those for which it was conceived;
- The bicycle and/or its components were subject to abusive use, negligence, abnormal and/or excessive use or was implicated in an accident;
- The frame is too small for you;
- The frame and/or its components were modified (ex: polishing, structural or mechanical modification or addition, stripping, sanding, strain hardening, shot peening);
- You continued to use your bicycle while it was damaged.



HEAD OFFICE

1555 MANIC
CHICOUTIMI (QUEBEC) CANADA
G7K 1G8

WWW.DEVINCI.COM